

MU 1804-LX

Colinear 3 dB Mobile Antenna
for the 1800 MHz Band

PROCOM

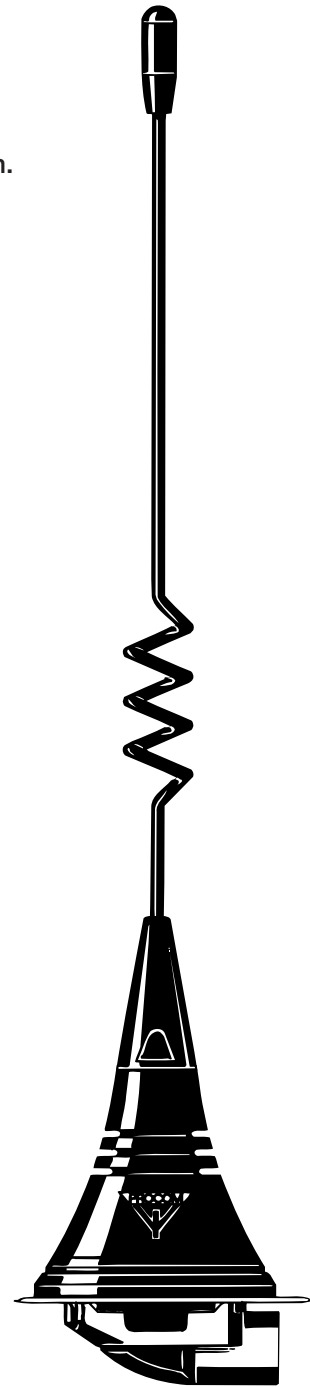


DESCRIPTION:

- ★ Mobile antenna for the 1800 MHz cellular systems (DCS-1800/PCN).
- ★ Colinear, stainless steel whip.
- ★ 3 dB gain compared to a $1/4 \lambda$ whip.
- ★ Stainless steel LX-mount – professional quality in elegant and smooth design.
- ★ Especially suited for roof-mounting.
- ★ Provided with FME-connection (supplied without cable).
- ★ Bendable section in mount for adjustment of whip (tiltable 15° by hand).
- ★ Installation with access from the outside only (requiring an 18 mm dia. hole).

SPECIFICATIONS:

ELECTRICAL	
MODEL	MU 1804-LX
ANTENNA TYPE	Colinear mobile whip antenna
FREQUENCY	1800 MHz band (1700–1900 MHz)
IMPEDANCE	Nom. 50 Ω
POLARISATION	Vertical
GAIN	3 dB (acc. to EIA RS-329-1)
BAND WIDTH	≥ 200 MHz @ SWR ≤ 2.25
SWR	≤ 2.0 @ f. res.
MAX. POWER	25 watts
MECHANICAL	
MATERIALS	Whip: Black-chromed stainless steel Black-chromed brass Mount: Stainless steel Brass Environment-proof plastics
RECOMMENDED INSTALLATION TORQUE	3.5 Nm max.
CABLE	FME-cable to be ordered separately
COLOUR	Black
HEIGHT	Approx. 170 mm
WEIGHT	Approx. 34 g
MOUNTING	18 mm dia. hole



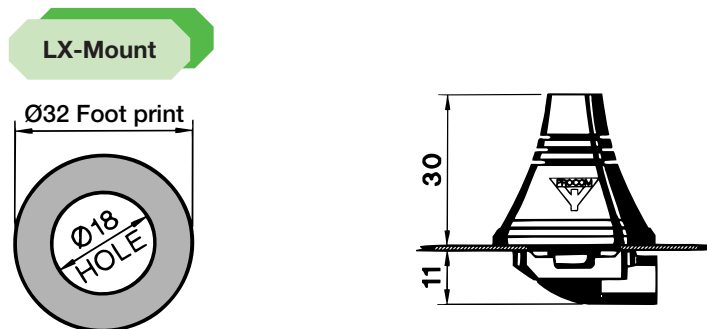
MU 1804-LX

Installation

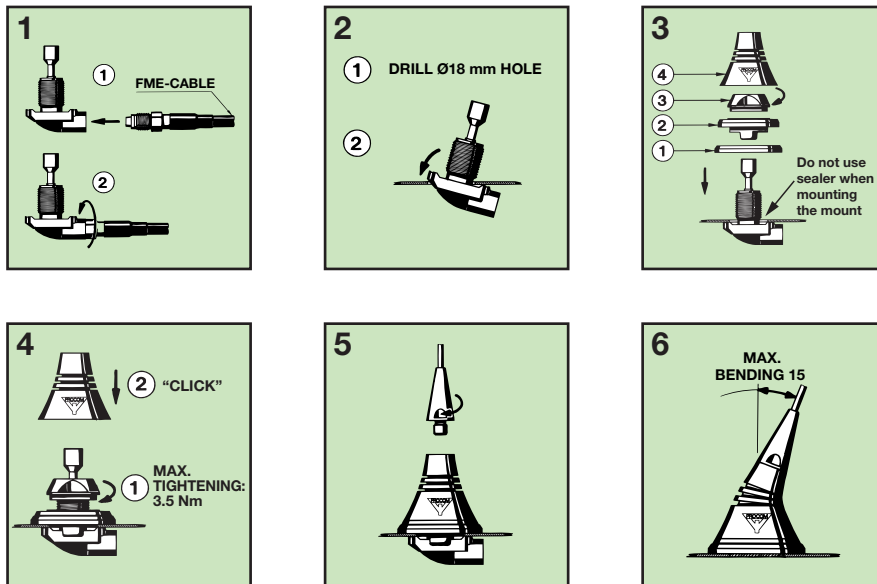


The LX-mount is especially suited for roof-mounting. It is recommended to mount the antenna at the centre of the roof to ensure the best omnidirectional coverage. Mounting can take place in an 18 mm dia. hole with access from the outside only. When cleaning the car in car-washing machines, the whip should be removed – a 9 mm fork spanner can be used. After wash, the whip is refitted and tightened lightly with the spanner. The mount is equipped with a bendable section ($\pm 15^\circ$) to make it possible to adjust the antenna to an upright position.

1. INSTALLATION DIMENSIONS:



2. INSTALLATION STEPS:



PLEASE NOTE: When tightening the revolving nut (see picture 4), special care must be taken to keep the spanner in the correct position.

3. TUNING:

The antenna is delivered factory-tuned and requires no further tuning.