

GPS-C 4/70/FM

Colinear Mobile Antenna for the 80 MHz, 400 MHz and FM Bands

DESCRIPTION

- GPS-antenna for fixed installations.
- External antenna whip mounted on the GPS-Combi mount.
- Full hemispherical coverage.
- Built-in high gain, low noise amplifier.
- Right-Hand Circular Polarisation (RHCP).
- 5 V supply voltage (3 V respectively 12 V available on request).
- DC supply via RF-connector.
- Mobile antenna with conical stainless steel whip.



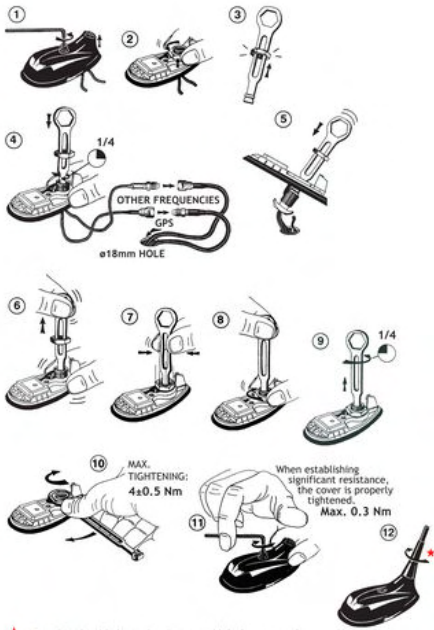
SPECIFICATIONS FOR WHIP

ELECTRICAL	
MODEL	GPS-C 4/70/FM
ANTENNA TYPE	Colinear mobile whip antenna
FREQUENCY	80 MHz: 83-86 MHz 400 MHz: 380-410 MHz FM band: 88-108 MHz
SWR	80 MHz: ≤ 2.0 400 MHz: ≤ 1.5
IMPEDANCE	Nom. 50 Ω
POLARISATION	Vertical
GAIN	80 MHz: Approx. 0 dB (acc. to EIA RS-329-1) 400 MHz: 4 dB (acc. to EIA RS-329-1)
MAX. POWER	25 W
MECHANICAL	
MATERIALS	Black-chromed conical, stainless steel Black-chromed brass
COLOUR	Black
HEIGHT	640 mm
WEIGHT	65 g
MOUNTING	On the GPS-Combi mount

SPECIFICATIONS FOR GPS-COMBI MOUNT

ELECTRICAL General specifications	
MODEL	GPS-COMBI MOUNT
ANTENNA TYPE	Active patch antenna
FREQUENCY	1575 MHz
IMPEDANCE	Nom. 50 Ω
POLARISATION	Circular right-hand
COVERAGE	Hemispherical
GAIN	28 dBic in axial direction (typ.)
CROSS-POLARISATION ATT.	> 10 dB (typ.)
BUILT-IN AMPLIFIER	
GAIN	> 30 dB (typ.)
NOISE FIGURE	< 1 dB (typ.)
P 1dB	Approx. +7 dBm
SELECTIVITY	> 45 dB down at ± 45 MHz
SWR (output)	≤ 2.0
SUPPLY VOLTAGE	5 \pm 0.5 VDC (3 V resp. 12 V on request)
CURRENT CONSUMPTION	Approx. 25 mA
MECHANICAL (only for the GPS-part)	
MATERIALS	Cu-nite brass Stainless steel Reinforced thermoplastic
ANTENNA COLOUR	Black
TEMP. RANGE	-35° C \rightarrow +75° C
CONNECTOR	FME (male for GPS) + FME (female for mobile antenna)
RECOMMENDED INSTALL. TORQUE	4 \pm 0.5 Nm
DIMENSIONS (H x L)	Approx. 30 x 89 mm
ROOF THICKNESS	Max. 2.0 mm
WEIGHT	Approx. 114 g
MOUNTING	\varnothing 18 mm dia. hole (For roof thickness 2.5 mm mounting hole should be \varnothing 18.5 mm dia.) Tools for mounting included

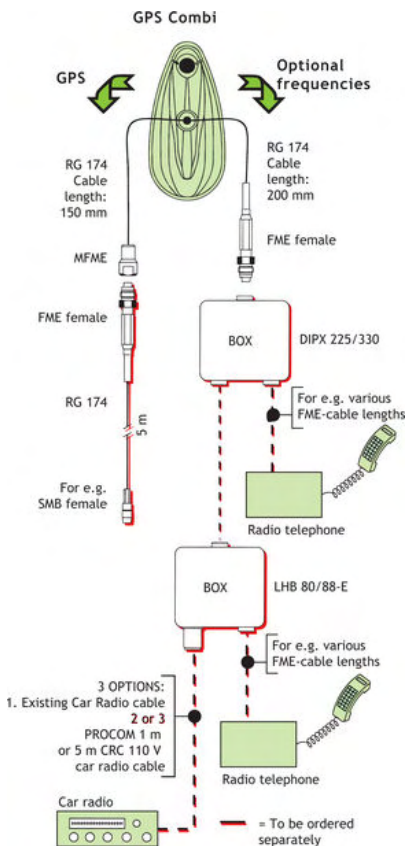
MOUNTING INSTRUCTIONS



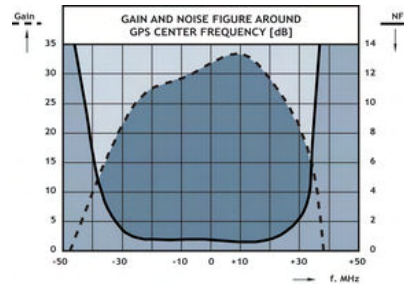
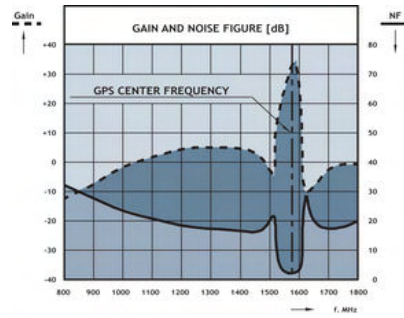
★ The whip should always be dismantled during car wash.

Do not use sealer on rubber gasket or other places.

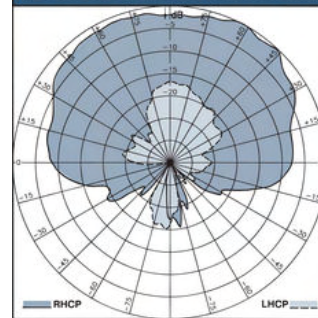
CABLE MOUNTING



TYPICAL RESPONSE CURVES



VERTICAL RADIATION PATTERN



PROCOM A/S reserve the right to amend specifications without prior notice.

19/05/2009