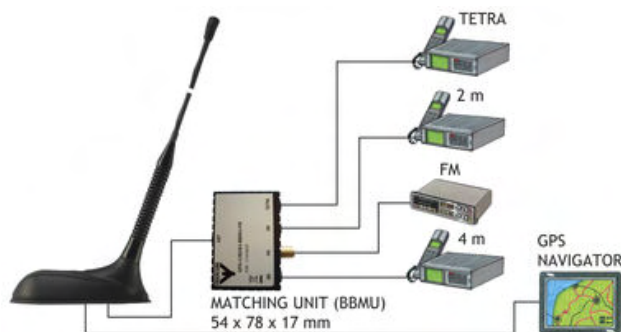


# GPS-C 4/2/TETRA-FM-S BBMU/...

Colinear Mobile Antenna for the 4m, 2m, FM and TETRA Bands

## DESCRIPTION

- GPS-antenna for fixed installations.
- External antenna whip mounted on the GPS-Combi mount.
- Full hemispherical coverage.
- Built-in high-gain, low-noise amplifier.
- Right-Hand Circular Polarization (RHCP).
- 5 V supply voltage (3 V respectively 12 V available on request).
- DC supply via RF-connector.
- Polyethylene-covered flexible whip.
- Easily removable whip for car wash.
- Matching unit (BBMU) included.



## SPECIFICATIONS FOR WHIP

ELECTRICAL	
MODEL	GPS-C 4/2/TETRA-FM-S BBMU/...
ANTENNA TYPE	Colinear mobile whip antenna
FREQUENCY	4 m: 74.2 - 87.5 MHz 2 m: 167.5 - 174 MHz 70 cm: 380 - 400 MHz FM band: 88 - 108 MHz
SWR	74.2 - 77.7 and 84 - 87.5 MHz: < 2.5 167.5 - 169.5 and 172 - 174 MHz: < 2.0 380 - 400 MHz: < 2.0
IMPEDANCE	Nom. 50 Ω
POLARIZATION	Vertical
GAIN	4 m: ca. -3 dB 2 m: ca. -4 dB 70 cm: ca. 2 dB (acc. to EIA RS-329-1)
MAX. POWER	25 W
MECHANICAL	
MATERIALS	Whip: Glass fibre whip with copper wire winding, polyethylene-covered. Black-chromed brass Spring: Black-chromed stainless steel
COLOUR	Black
HEIGHT	670 mm
WEIGHT	60 g
MOUNTING	On the GPS-Combi mount

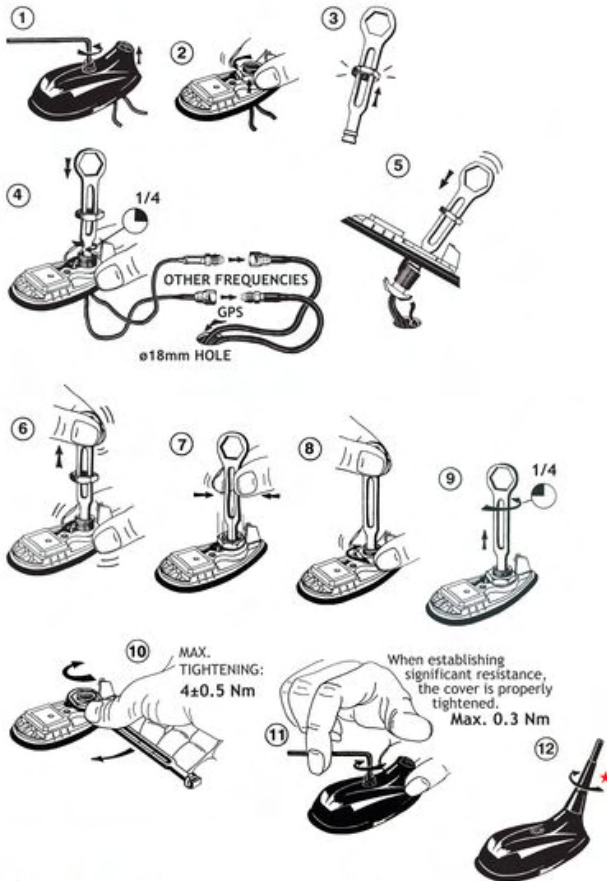
## ORDERING DESIGNATIONS

TYPE	PRODUCT NO.	ROOF THICKNESS
GPS-C 4/2/TETRA-FM-S BBMU/2mm	132 000 090	Max. 2.0 mm
GPS-C 4/2/TETRA-FM-S BBMU/7mm	132 000 110	3.5 - 7.5 mm

## SPECIFICATIONS FOR GPS-COMBI MOUNT

ELECTRICAL General specifications	
MODEL	GPS-COMBI MOUNT
ANTENNA TYPE	Active patch antenna
FREQUENCY	1575 MHz
IMPEDANCE	Nom. 50 Ω
POLARIZATION	Circular right-hand
COVERAGE	Hemispherical
GAIN	28 dBic in axial direction (typ.)
CROSS-POLARIZATION ATT.	> 10 dB (typ.)
Built-in amplifier	
GAIN	> 30 dB (typ.)
NOISE FIGURE	< 1 dB (typ.)
P <sub>1 dB</sub>	Approx. +7 dBm
SELECTIVITY	> 45 dB down at ± 45 MHz
SWR (output)	≤ 2.0
SUPPLY VOLTAGE	5 ± 0.5 VDC (3 V resp. 12 V on request)
CURRENT CONSUMPTION	Approx. 25 mA
MECHANICAL (only for the GPS-part)	
MATERIALS	Cu-nite brass. Stainless steel Reinforced thermoplastic
ANTENNA COLOUR	Black
TEMP. RANGE	-35° C → +75° C
CONNECTOR	FME (male for GPS) + FME (female for mobile antenna)
RECOMMENDED INSTALL. TORQUE	4 ± 0.5 Nm
DIMENSIONS (H x L)	Approx. 30 x 89 mm
ROOF THICKNESS	Max. 2.0 mm or 3.5 - 7.5 mm
WEIGHT	Approx. 114 g
MOUNTING	∅18 mm dia. hole (For roof thickness 2.5 mm mounting hole should be ∅18.5 mm dia.) For roof thickness 3.5 mm up to 7.5 mm mounting hole should be ∅19 mm dia. Tools for mounting included

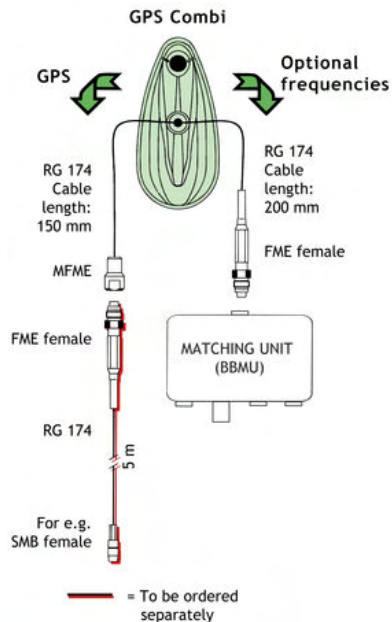
## MOUNTING INSTRUCTIONS



★ The whip should always be dismantled during car wash.

Do not use sealer on rubber gasket or other places.

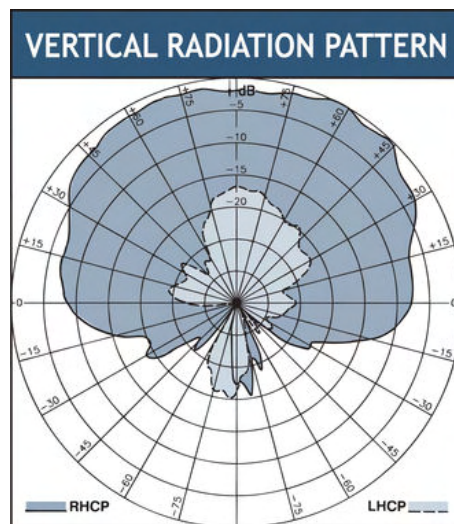
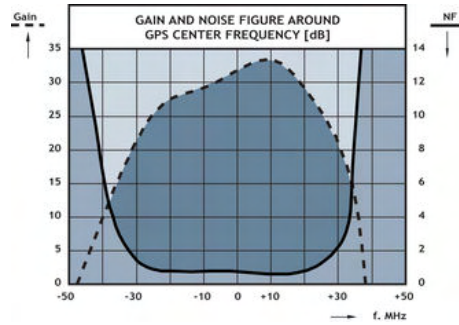
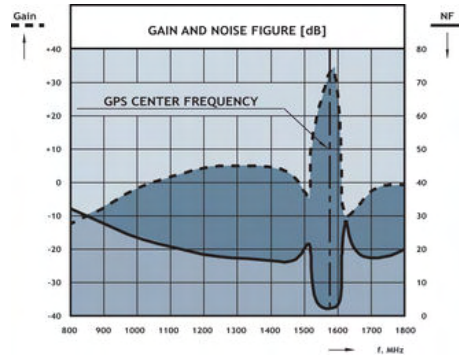
## CABLE MOUNTING



### PLEASE NOTE:

The cable between the GPS-C Mount and BBMU box must not be extended.

## TYPICAL RESPONSE CURVES



PROCOM A/S reserve the right to amend specifications without prior notice.

01/06/2010