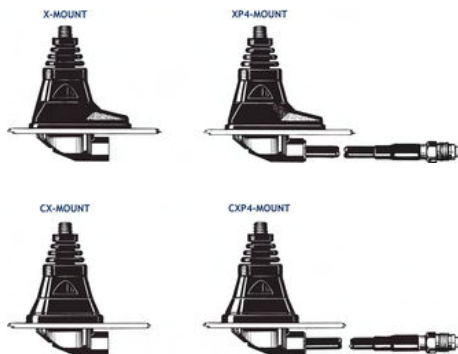


ML 2-XR

1/4 λ Mobile Antenna for the 80 MHz Band

DESCRIPTION

- Black-chromed, conical stainless steel whip.
- Elegant transition between whip and mounting surface due to slim-line mount.
- 30° tiltable whip.
- Ideal for installation on the narrow strip on rear wing between trunk lid and side of car.
- Stainless steel X-mount with M6-thread whip-fastening system.
- Simple mounting exclusively with access from the outside.
- Models available with X-mount (oblong) and CX-mount (circular).
- Choice between two connection principles:
 - X-mount: FME-connection (supplied without cable).
 - XP4-mount: Permanently attached 4 m cable terminated with FME-connector.



ORDERING DESIGNATIONS

| MOUNT VERSION | TYPE NO. |
|--|------------|
| X-mount (oblong) with FME-system | ML 2-XR |
| CX-mount with FME-system (circular) | ML 2-CXR |
| XP4-mount with 4 m cable and FME-connector (oblong) | ML 2-XP4R |
| CXP4-mount with 4 m cable and FME-connector (circular) | ML 2-CXP4R |

SPECIFICATIONS

| ELECTRICAL | |
|---------------------------------|--|
| MODEL | ML 2XR |
| ANTENNA TYPE | 1/4 λ mobile whip antenna |
| FREQUENCY | Tunable by cutting within: 66...88 MHz (Also applicable: 88...175 MHz) |
| IMPEDANCE | Nom. 50 Ω |
| POLARISATION | Vertical |
| GAIN | 0 dB (acc. to EIA RS-329-1) |
| BAND WIDTH | ≥ 8 MHz @ SWR ≤ 2.0 |
| SWR | ≤ 1.3 @ f. res. |
| MAX. POWER | 250 W |
| MECHANICAL | |
| MATERIALS | Whip: Black-chromed, conical stainless steel Black-chromed brass Mount: Black-chromed brass Environment-proof plastics Stainless steel |
| RECOMMENDED INSTALLATION TORQUE | 4 ± 1 Nm |
| COLOUR | Black |
| HEIGHT | Approx. 1.3 m |
| WEIGHT | X-version: Approx. 80 g XP4-version: Approx. 240 g |
| MOUNTING | 18 mm dia. hole |

INSTALLATION

This antenna can be mounted anywhere on the vehicle.

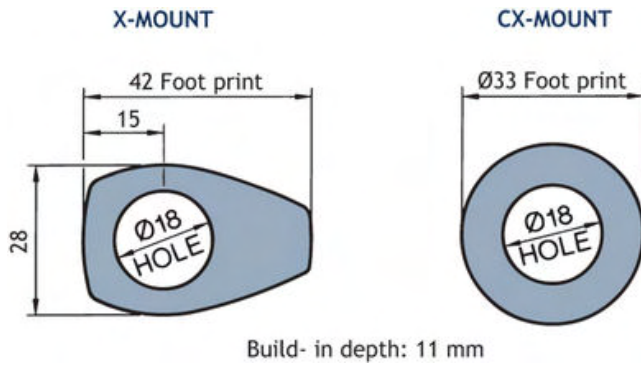
The oblong X-mount is especially suited for mounting on the often very narrow strip on the rear wing between the trunk lid and the side of the car.

Mounting can take place exclusively with access from the outside when drilling an 18 mm dia. hole. Mounting can take place from the inside by drilling a 14 mm dia. hole. When mounting in a 14 mm dia. hole, remove the bottom plastic ring of the packing gasket with a sharp cutter.

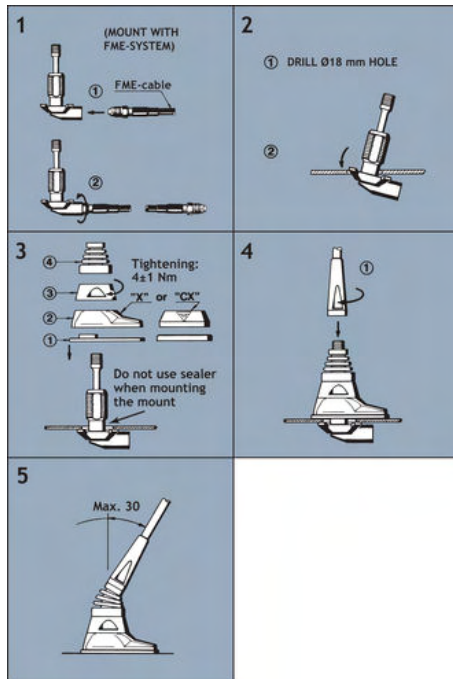
When cleaning the car in car-washing machines, remove the whip using a spanner, size 9 mm. After wash, refit the whip and tighten it lightly with the spanner.

As the mount is internally equipped with a bendable section, the antenna can always be adjusted to an upright position independent of the tilt angle of the installation spot (up to 30° tilt).

1. INSTALLATION DIMENSIONS

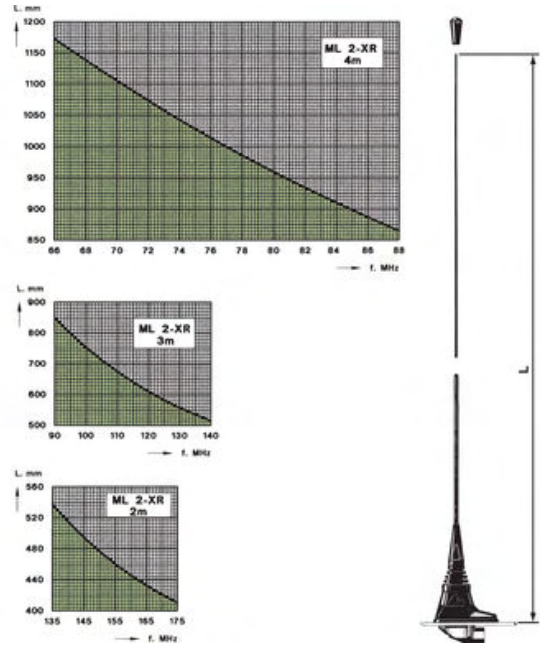


2. INSTALLATION STEPS



3. TUNING

The antenna should always be tuned using an SWR-meter. The cutting diagrams below serve as a guide for this procedure.



PROCOM A/S reserve the right to amend specifications without prior notice.

19/05/2009