

# ML 1-ZG

1/4 λ Mobile Antenna with Shock Spring for the 80 MHz Band

## DESCRIPTION

- Sturdy, general-purpose 1/4 λ antenna in professional quality.
- Available with glassfiber or stainless steel whip.
- Stainless steel ZG-mount with M8 x 1-thread whip-fastening system.
- Simple mounting exclusively with access from the outside.
- Choice between two connection principles:
  - ZG-mount: FME-connection (supplied without cable).
  - ZGP4-mount: Permanently attached 4 m cable terminated with FME-connector.



## ORDERING DESIGNATIONS

MOUNT	WHIP Glassfiber	WHIP Stainless steel
ZG-mount with FME-system	ML 1-ZG	ML 1-ZGR
ZGP4-mount with 4 m cable and FME-connector	ML 1-ZGP4	ML 1-ZGP4R

## SPECIFICATIONS

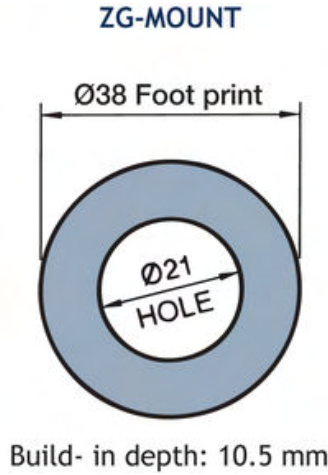
ELECTRICAL	
MODEL	ML 1-ZG
ANTENNA TYPE	1/4 λ mobile whip antenna
FREQUENCY	Tunable by cutting within: 66...88 MHz (Also applicable: 88...175 MHz)
IMPEDANCE	Nom. 50 Ω
POLARISATION	Vertical
GAIN	0 dB (acc. to EIA RS-329-1)
BAND WIDTH	≥ 8 MHz @ SWR ≤ 2.0
SWR	≤ 1.3 @ f. res.
MAX. POWER	250 W
MECHANICAL	
MATERIALS	<b>Whip:</b> Conical glassfiber or black-chromed stainless steel. Black-chromed brass <b>Spring:</b> Black-chromed stainless steel <b>Mount:</b> Black-chromed brass Environment-proof plastics Stainless steel
RECOMMENDED INSTALLATION TORQUE	7.5 ± 1 Nm
COLOUR	Black
HEIGHT	Approx. 1.1 m
WEIGHT	ZG-version: Approx. 210 g ZGP4-version: Approx. 360 g
MOUNTING	21 mm dia. hole

## INSTALLATION

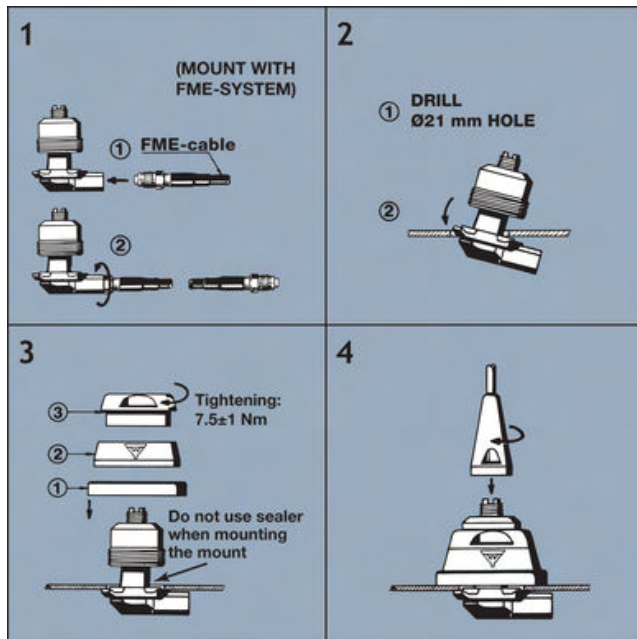
This antenna is supplied with our type ZG-mount for mounting from the outside in a 21 mm dia. hole on horizontal surfaces as e.g. roof top or trunk lid.

The ZG-mount is provided with an M8 x 1 thread mount system. This construction meets the demand for a low-profile mobile mount with a slim appearance and with protection against theft of the antenna whip. When cleaning the car in automatic washing machines, the whip is easily removed using a spanner size 12 mm. The whip is refitted again by screwing it onto the M8 x 1 thread stud and tightening it with the spanner.

### 1. INSTALLATION DIMENSIONS

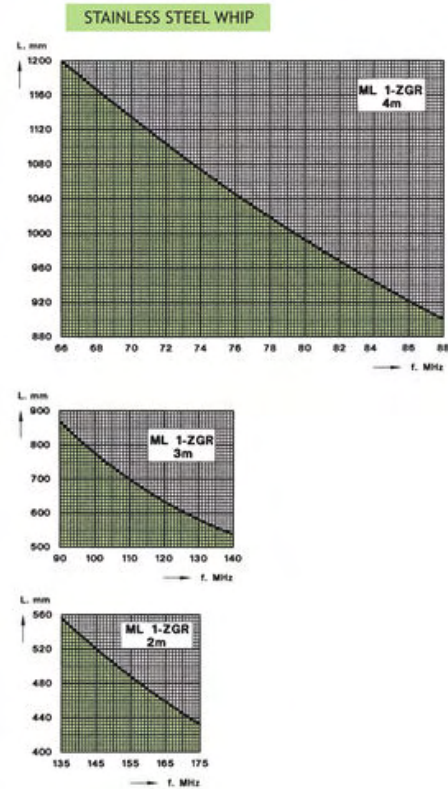
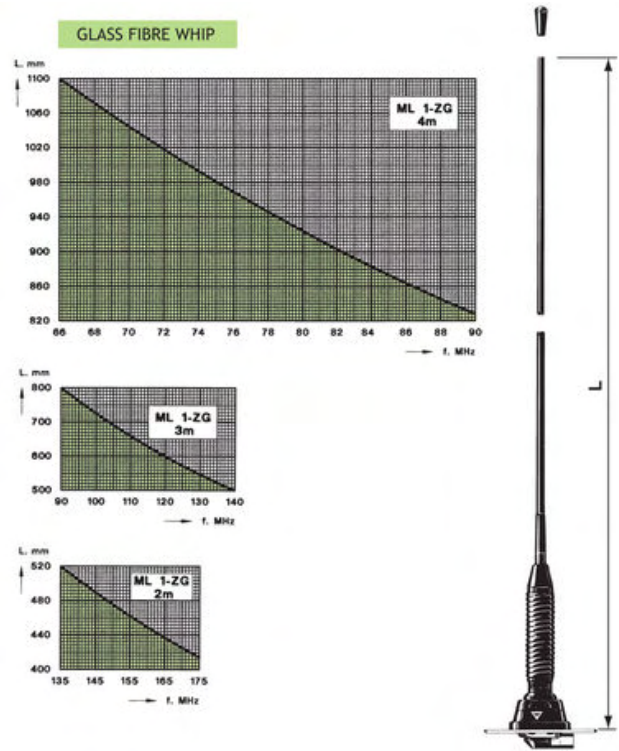


### 2. INSTALLATION STEPS



### 3. TUNING

The antenna should always be tuned using an SWR-meter. The cutting diagrams below serve as a guide for this procedure.



PROCOM A/S reserve the right to amend specifications without prior notice.

16/01/2009