

DFT-N

Coaxial Deck Feed-Through

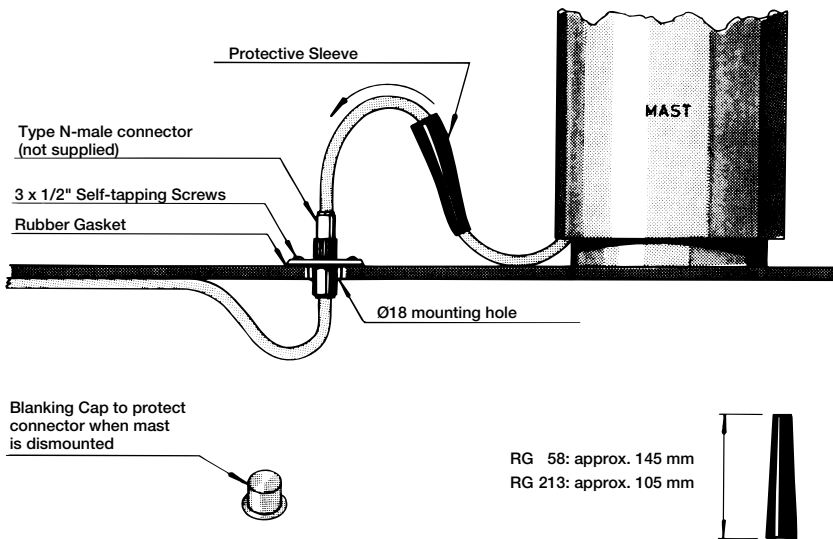


DESCRIPTION:

- ★ This deck feed-through is mainly designed for use on pleasure crafts, yachts etc. where the mast is dismantled when the vessel is hoisted on land for service or for winter storage.
- ★ If the vessel carries a masthead-mounted antenna with the downlead cable permanently fixed to the mast, it is necessary to have a possibility of disconnecting the cable at the base of the mast.
- ★ The drawings below show how such an installation can be realized in an effective and easy way using the DFT-N deck feed-through.

SPECIFICATIONS:

MODEL	DFT-N
TEMP. RANGE	-30° C → +70° C
CONNECTOR	N-female
APPLICATION	Coaxial deck feed-through
COAXIAL CABLE TYPE	RG 213/U
BUILD-IN DEPTH	Min. 110 mm
MATERIAL	Bright chromed brass
SURFACE TREATMENT	Triple chrome plating
WEIGHT	Approx. 100 g



When connecting the N-plug to the N-socket, it is advisable to apply a tiny bit of silicone grease to the screw threads. The assembly can be taped to prevent corrosion. These measures will ease disconnection and extend the lifetime of the joint.

INSTALLATION DETAILS:

