

SMC 500/SMC 1000

Side-Mounting Brackets for Marine and Base Station Antennas



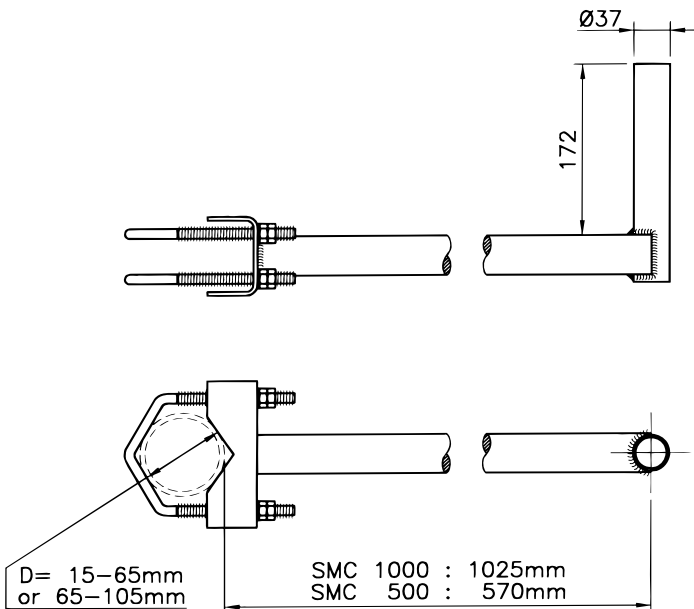
DESCRIPTION:

- ★ These side-mounting brackets are used when a base station antenna has to be side-mounted on the supporting lattice mast or mast tube.
- ★ The SMC 500 has a side-mounting distance of approx. 0.5 m and the SMC 1000 a side-mounting distance of approx. 1.0 m.
- ★ Both types can be supplied with U-bolts either for masts with diameter 15–65 mm (typical: lattice mast legs) or for mast tubes with diameter between 65 and 105 mm. (See table below).
- ★ The brackets are mainly intended for all the omnidirectional antennas provided with type “C” or “LW” clamp, but can also readily be used together with all “GP”-antennas for 38 mm mast tubes or for carrying directional antennas.
- ★ The brackets are made of hot-dipped galvanized steel and all accompanying fittings are in stainless steel.

SPECIFICATIONS:

APPLICATION	Brackets for side-mounting	
DISTANCE: MAST SURFACE TO ANTENNA CENTRE	SMC 500: Approx.	570 mm
	SMC 1000: Approx.	1025 mm
WIND SURFACE	SMC 500:	0.027 m ²
	SMC 1000:	0.046 m ²
WIND LOAD	SMC 500:	30 N (at 150 km/h)
	SMC 1000:	51 N (at 150 km/h)
WEIGHT	SMC 500: Approx.	3.6 kg
	SMC 1000: Approx.	4.7 kg

ORDERING DESIGNATION	FOR MAST DIAMETER	FITTINGS SUPPLIED
SMC 500/15-65	15–65 mm	2 pcs. 65 mm U-bolts 8 pcs. M8 nuts and 4 washers
SMC 500/65-105	65–105 mm	2 pcs. 105 mm U-bolts 8 pcs. M10 nuts and 4 washers
SMC 1000/15-65	15–65 mm	2 pcs. 65 mm U-bolts 8 pcs. M8 nuts and 4 washers
SMC 1000/65-105	65–105 mm	2 pcs. 105 mm U-bolts 8 pcs. M10 nuts and 4 washers



PLEASE NOTE:

The optimum position for an omnidirectional antenna is at the top of the mast as this ensures undisturbed radiation in all horizontal directions. Mounting of an omnidirectional antenna at the side of a mast imposes some distortion of the radiation pattern as well as the SWR. The influence is dependent on the distance to the mast and the mast diameter. Often this effect can be advantageously exploited to create directional patterns when a certain “preferred area” has to be covered by the antenna system.

PROCOM A/S reserve the right to amend specifications without prior notice.