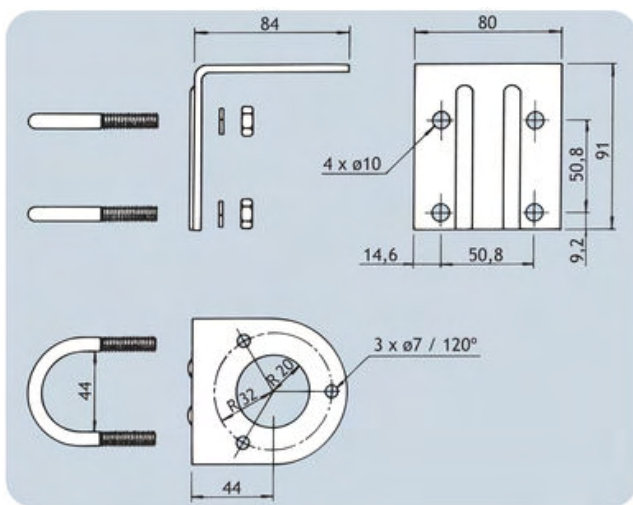


SM-MAS

Mast Mounting Bracket for all "MA"-mount Based Antennas

DESCRIPTION

- This bracket makes it possible to install all antennas equipped with type "MA"-mount at the top of a mast tube.
- Among these antennas are AIS 2/GPS 4 and MA 70/GPS 4/...
- The mast tube outer diameter must lie within the range 30 to 44 mm.
- Please note that the SM-MAS should be installed at the very top of the mast tube, otherwise the antenna or part of it will be positioned parallel with the mast tube and consequently, the SWR and the radiation pattern of the antenna will be distorted.
- The SM-MAS is made of stainless steel.



ORDERING DESIGNATIONS

TYPE	PRODUCT NO.
SM-MAS	110000196

SPECIFICATIONS

MODEL	SM-MAS
FUNCTION	Mast mounting bracket for MA-mount based antennas
MAST TUBE OUTER DIA.	30 – 44 mm
MATERIALS	Bracket: Stainless steel Fittings: Stainless steel
HEIGHT	91 mm
WIDTH	80 mm
LENGTH	84 mm
WEIGHT	Approx. 350 g



PROCOM A/S reserve the right to amend specifications without prior notice.

08/12/2009