

SM-MA

Mast Mounting Bracket for all "MA"-mount Based Antennas

PROCOM

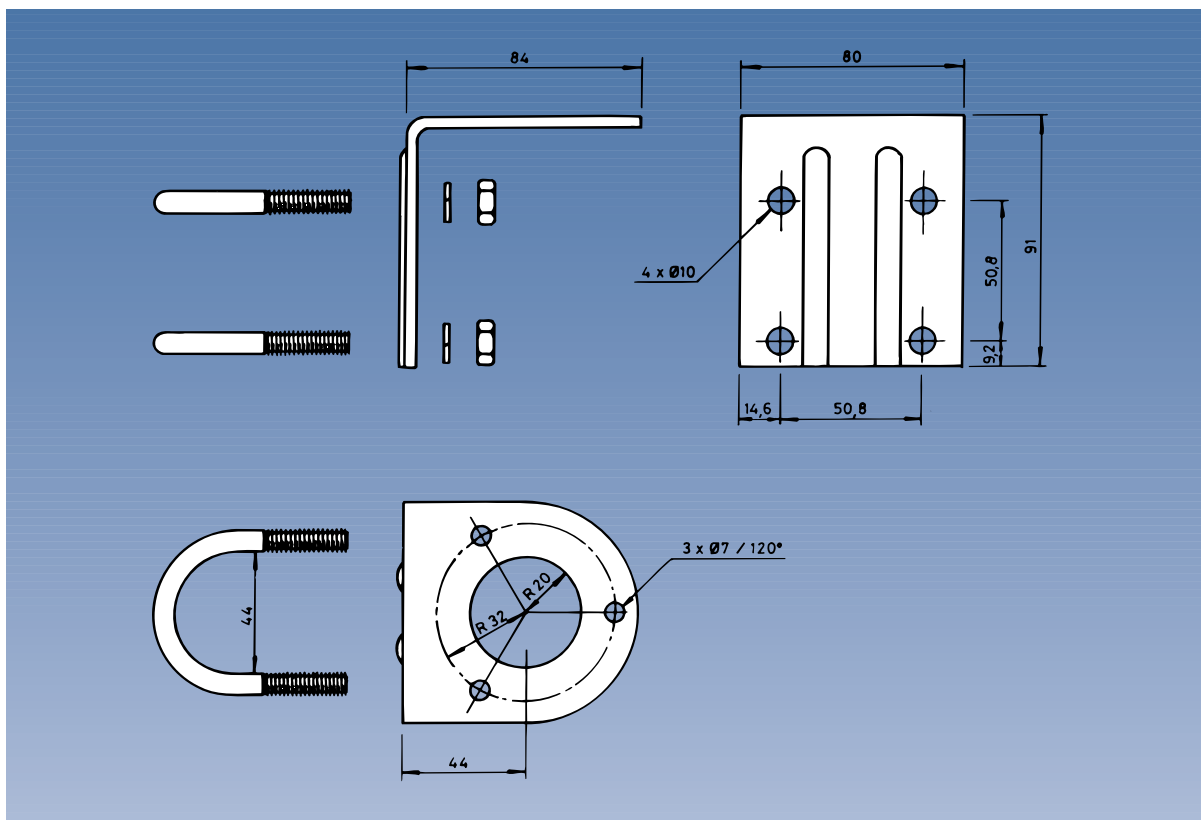


DESCRIPTION:

- ★ This bracket makes it possible to install all antennas equipped with type "MA"-mount at the top of a mast tube.
- ★ Among these antennas are: BCL 1-KA and AAC 1.
(The BCL 1-KA antenna is as standard equipped with the SM-MA).
- ★ The mast tube outer diameter must lie within the range 30 to 44 mm.
- ★ Please note that the SM-MA should be installed at the very top of the mast tube, otherwise the antenna or a part of it will be positioned parallel to the mast tube and consequently, the SWR and the radiation pattern of the antenna will be distorted.
- ★ The SM-MA is made of anodization passivated aluminium, and the U-bolts and fittings are made of stainless steel.

SPECIFICATIONS:

MODEL	SM-MA
FUNCTION	Mast mounting bracket for MA-mount based antennas
MAST TUBE OUTER DIA.	30-44 mm
MATERIALS	Bracket: Natural-coloured anodized aluminium Fittings: Stainless steel
HEIGHT	91 mm
WIDTH	80 mm
LENGTH	84 mm
WEIGHT	Approx. 270 g



CAUTION:

As the MA-mount is not completely watertight from below against sea-spray, it is not advisable to mastmount MA-type antennas on board ships using the SM-MA. However, the SM-MA is perfectly suitable with respect to any land-based application.

PROCOM A/S reserve the right to amend specifications without prior notice.