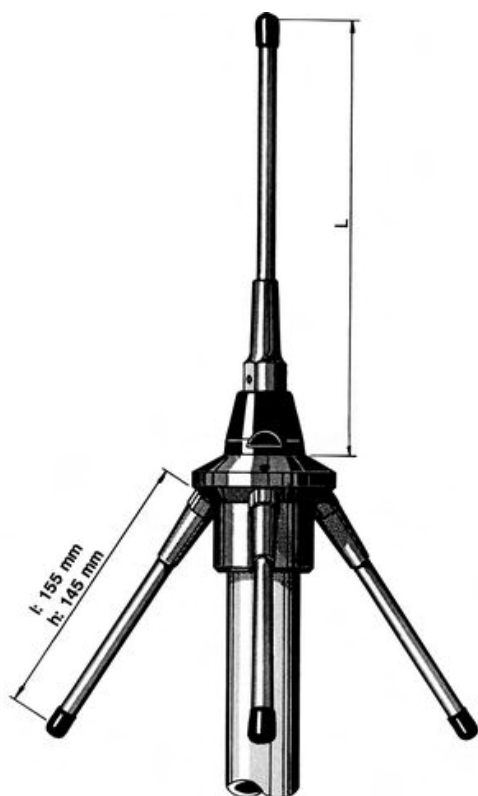


GP 450/...

1/4 λ Ground-Plane Antenna for the 450 MHz Band

DESCRIPTION

- GP 450/... is a ground-plane antenna of the triple-leg type.
- The antenna is delivered in two models tunable over the ranges 380...430 MHz (l) and 420...470 MHz (h), respectively, by adjusting the length of the radiator.
- The cutting diagram below indicates how long the radiator must be corresponding to a specific centre frequency. The radiator is measured from its free end (excl. top knob) to the bottom of the black insulator. Do not cut the radials – they should be left untouched.
- GP 450/... comprises a GP-head, one radiator and threeradials – all made of chromed brass.
- GP 450/... is made of first-class materials and will endure "wear and tear" for years – no maintenance required.



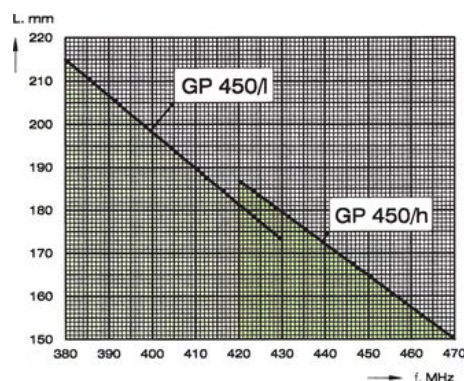
ORDERING DESIGNATIONS

TYPE NO.	FREQUENCY
GP 450/l	Tunable within 380...430 MHz
GP 450/h	Tunable within 420...470 MHz

SPECIFICATIONS

ELECTRICAL	
MODEL	GP 450/...
ANTENNA TYPE	1/4 λ ground-plane antenna
FREQUENCY	l: 380...430 MHz h: 420...470 MHz
IMPEDANCE	Nom. 50 Ω
RADIATION	Omnidirectional
POLARISATION	Vertical
GAIN	2 dBi 0 dBd
BAND WIDTH	40 MHz @ SWR 2.0
SWR	≤ 1.2 @ f. res.
MAX. POWER	1 kW
MECHANICAL	
TEMP. RANGE	-30° C → +70° C
CONNECTOR	UHF-female (fitting PL-259)
WIND SURFACE	0.0128 m ²
WIND LOAD	16 N @ 160 km/h
COLOUR	Bright chrome
MATERIALS	Chromed brass. Environment-proof plastic
TOTAL HEIGHT	Approx. 340 mm
ANTENNA ELEMENT DIA.	8 mm
WEIGHT	Approx. 900 g
MOUNTING	38 mm dia. mast tube (42 mm dia. as option, see note)

CUTTING DIAGRAM



PLEASE NOTE

The GP 450/... can be delivered with a GP-head for mounting on 42 mm dia. mast tube (standard is 38 mm) when ordering as option **GP 450/...-42 mm.**



PROCOM A/S reserve the right to amend specifications without prior notice.

06/05/2009