

HF 5000

5 m Self-Supporting HF Transmitting Antenna for Mast Mounting

PROCOM

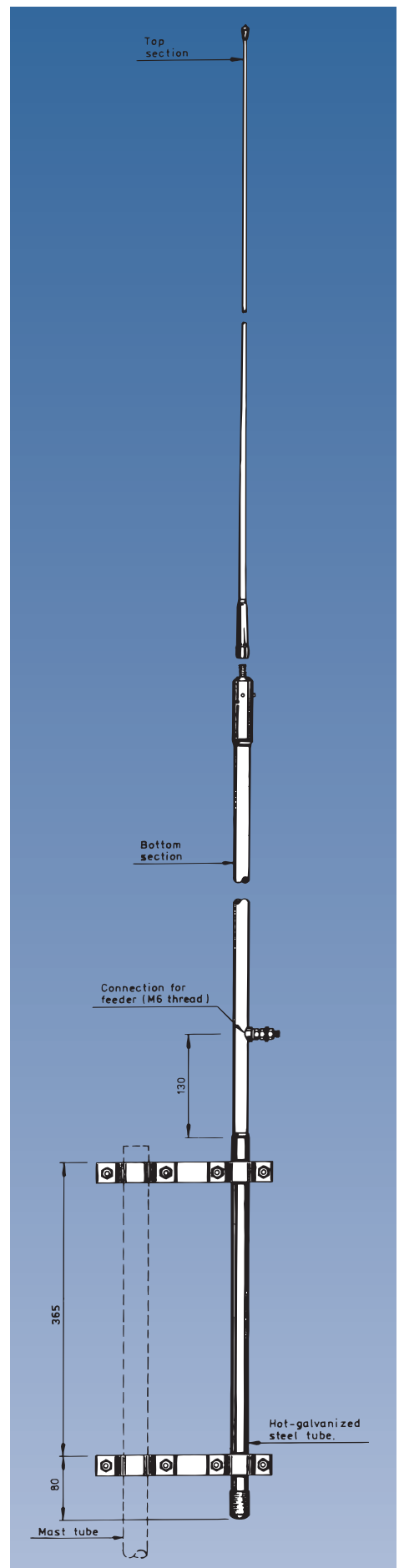
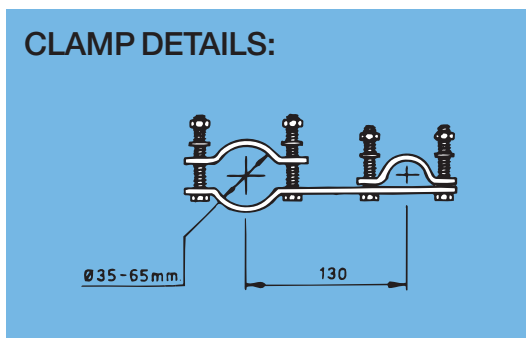
DESCRIPTION:

- ★ This antenna is intended for transmitting and receiving in the MF-HF range. It is designed for mast mounting with an open feeder installation.
- ★ The antenna has very low base capacitance for best efficiency. The power rating of the antenna depends on frequency, but it can very safely be used with 400 W transmitters over the whole MF-HF band.
- ★ Installation is easily carried out by means of the two hot galvanized mast clamps. The antenna has very small weight and minimum wind surface, thereby requiring only a minimum of mast strength.
- ★ The glassfiber construction gives a stiff and self-supporting structure with extremely good resistance against the corrosive marine environment with UV-radiation, salt, exhaust gases and ice formation as the primary factors.
- ★ HF 5000 is a maintenance-free and very reliable construction.

SPECIFICATIONS:

ELECTRICAL	
MODEL	HF 5000
ANTENNA TYPE	Self-supporting antenna element
FREQUENCY	1.4 – 30 MHz
STATIC CAPACITY	Approx. 60 pF
INSULAT. RESISTANCE	Approx. $10^8 \Omega$
MECHANICAL LENGTH	5 m
EFF. ELECTR. LENGTH	4.40 m
MECHANICAL	
TEMP. RANGE	-30° C → +70° C
CONNECTOR	Open feeder. See drawing
WIND SURFACE	0.082 m ²
WIND LOAD	106 N (at 150 km/h)
MAX. WIND SPEED	200 km/h
COLOUR	Marine white
MATERIALS	Shroud : Glassfiber Metal parts: Stainless steel and chromed brass
TOTAL HEIGHT	Approx. 5.17 m
DIA. IN TOP END	5 mm
DIA. IN BOTTOM END	20 mm
WEIGHT	2.7 kg, clamps inclusive
MOUNTING	On 35–65 mm dia. mast tube

CLAMP DETAILS:



PROCOM A/S reserve the right to amend specifications without prior notice.