

LPZ 960

Coaxial Low-Pass Filter for the 900 MHz Band

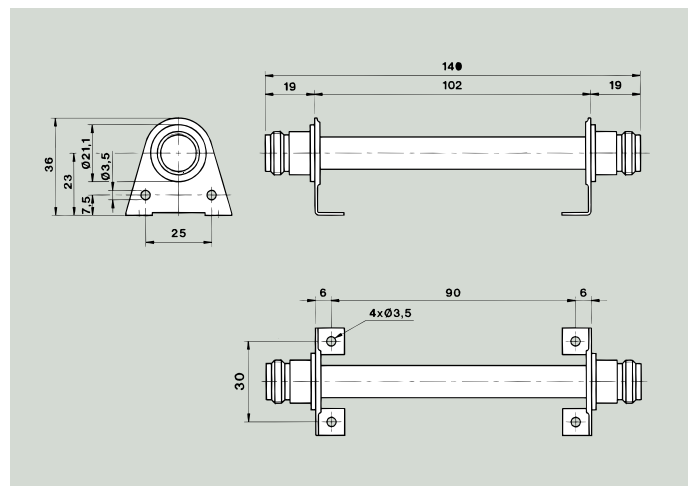
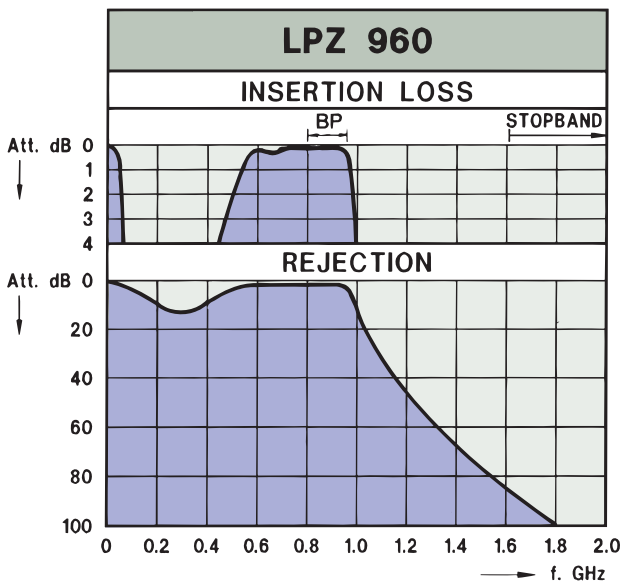
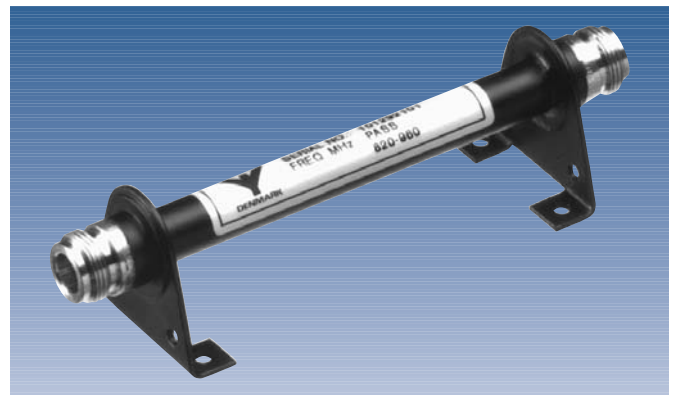


DESCRIPTION:

- ★ Passes all signals in or below the 900 MHz band.
- ★ Rejects signals above this range.
- ★ Absolute stop band from 1640 MHz to 6 GHz
– no degradation at harmonics (Zolotarev-characteristic).
- ★ Attenuation in stop band better than 60 dB.
- ★ Insertion loss in pass range less than 0.4 dB.
- ★ Provided with brackets for panel mounting.

SPECIFICATIONS:

ELECTRICAL	
MODEL	LPZ 960
APPLICATION	Low-pass filter for the 900 MHz band
FREQUENCY	Pass band: 820-960 MHz Stop band: 1.64 - 6 GHz
MAX. INPUT POWER	150 watts
INSERTION LOSS (PASS BAND)	≤ 0.4 dB
1 dB CUT-OFF FREQUENCY	> 970 MHz
ATTENUATION (STOP BAND)	> 60 dB
MECHANICAL	
TEMP. RANGE	-30° C → +80° C
CONNECTORS	N-female
DIMENSIONS (L x W x H)	140 x 40 x 36 mm
WEIGHT	Approx. 85 g



The LPZ 960 is used to prevent RFI (Radio Frequency Interference) caused by excessive harmonic-generation from transmitters operating in the 900 MHz band. By rejection, the filter reduces the amplitude of the harmonics and prevents them from being radiated by the antenna. The filter is normally used in connection with base station transmitters, but as it is mechanically very ruggedly designed, it is perfectly suited for mobile and marine applications as well.

PROCOM A/S reserve the right to amend specifications without prior notice.