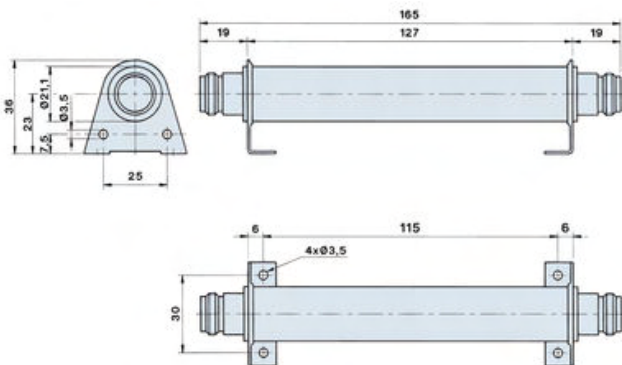


LPZ 470

Coaxial Low-Pass Filter for the 450 MHz Band

DESCRIPTION

- Passes all signals in or below the 450 MHz-band.
- Rejects signals above this range.
- Absolute stop band from 760 MHz to 6 GHz – no degradation at harmonics (Zolotarev-characteristic).
- Attenuation in stop band better than 50 dB.
- Insertion loss in pass range less than 0.4 dB.
- Provided with brackets for panel mounting.

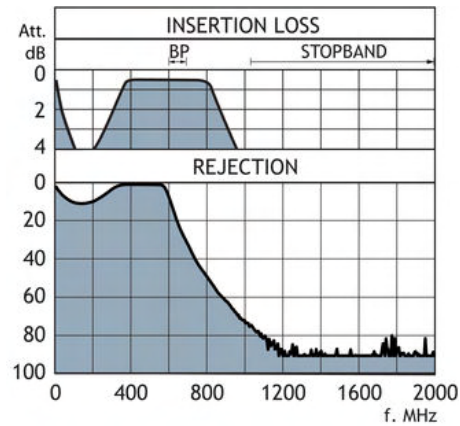


ORDERING DESIGNATIONS

TYPE	PRODUCT NO.
LPZ 470	200001289

SPECIFICATIONS

ELECTRICAL	
MODEL	LPZ 470
FILTER TYPE	Low-pass filter for the 450 MHz band
FREQUENCY	Pass band: 380 - 470 MHz Stop band: 760 MHz - 6 GHz
MAX. INPUT POWER	150 W
INSERTION LOSS (PASS BAND)	≤ 0.4 dB
1 dB CUT-OFF FREQUENCY	> 480 MHz
ATTENUATION (STOP BAND)	> 50 dB
MECHANICAL	
TEMP. RANGE	-30° C → +80° C
CONNECTORS	N-female
DIMENSIONS (L x W x H)	165 x 40 x 36 mm
WEIGHT	Approx. 240 g



The LPZ 470 is used to prevent RFI (Radio Frequency Interference) caused by excessive harmonic-generation from transmitters operating in the 450 MHz band. By rejection, the filter reduces the amplitude of the harmonics and prevents them from being radiated by the antenna.

The filter is normally used in connection with base station transmitters, but as it is mechanically very ruggedly designed, it is perfectly suited for mobile and marine applications as well.



PROCOM A/S reserve the right to amend specifications without prior notice.

21/01/2010