

# MIX 70-S1-Z(XX)

Ultra-Compact Build-in type Duplexer  
for 450 MHz Cellular Radio Telephones

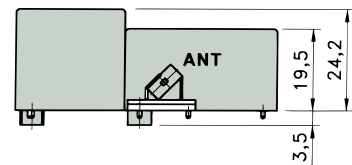
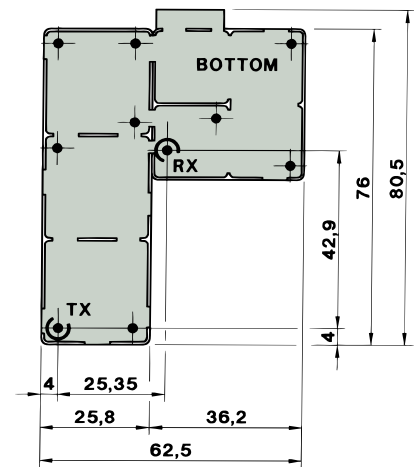


## DESCRIPTION:

- ★ Miniaturized, light-weight, component-sized duplexer.
- ★ Ideal for integration in compact 450 MHz cellular radio telephones.
- ★ Connectors on bottom side for direct drop-in on PCB.
- ★ Low insertion loss and temperature drift.
- ★ Rugged mechanical design.
- ★ 3 cavities in TX-branch, 4 cavities in RX-branch.
- ★ Bandpass-response on RX-port.
- ★ Fully environmentally tested.
- ★ Fits Motorola type "CIMBER II" devices (see model survey below).



## FUNCTIONAL DIMENSIONS:



## GENERAL SPECIFICATIONS:

ELECTRICAL	
MODEL	MIX 70-S1-Z(XX)
MAX. INPUT POWER	25 watts
IMPEDANCE	Nom. 50 Ω
SWR (All ports)	≤ 1.5
MECHANICAL	
TEMP. RANGE	-30° C → +85° C
CONNECTIONS	TX and RX connections on bottom side Antenna connection on side wall
TOTAL (L x W x H)	80.5 x 62.5 x 27.7 mm
WEIGHT	Approx. 70 g

## SPECIFICATION EXAMPLES:

MODEL	MIX 70-S1-Z(01)		MIX 70-S1-Z(07)	
CELLULAR NETWORK	NMT-450		Croatia	
TX FREQUENCY	453.0-457.5 MHz		411.6-415.9 MHz	
RX FREQUENCY	463.0-467.5 MHz		421.6-425.9 MHz	
BRANCH	TX → Ant.	Ant. → RX	TX → Ant.	Ant. → RX
INSERTION LOSS IN PASSBAND	≤ 1.7 dB	≤ 4.0 dB	≤ 1.7 dB	≤ 4.0 dB
ATTENUATION IN STOPBAND	> 60 dB	> 60 dB	> 60 dB	> 60 dB
OUT OF BAND REJECTION	2. harm.: > 40 dB 3. harm.: > 40 dB 4. harm.: > 40 dB	< 453 MHz: > 55 dB 498-503 MHz: > 30 dB 0.5-1.2 GHz: > 40 dB 1.2-1.3 GHz: > 25 dB 1.3-3 GHz: > 40 dB	2. harm.: > 40 dB 3. harm.: > 40 dB 4. harm.: > 40 dB	< 411.6 MHz: > 55 dB 456-461 MHz: > 30 dB 0.46-1.2 GHz: > 40 dB 1.2-1.3 GHz: > 25 dB 1.3-3 GHz: > 40 dB

PROCOM A/S reserve the right to amend specifications without prior notice.

# MIX 70-S1-Z(XX)

Ultra-Compact Build-in type Duplexer  
for 450 MHz Cellular Radio Telephones



## MODEL SURVEY:

PROCOM TYPE NO.	CELLULAR NETWORK	MOTOROLA PART NO.
MIX 70-S1-Z(01)	Nordic (NMT)	91R02562Z01
MIX 70-S1-Z(02)	Benelux (BNL)	91R02562Z02
MIX 70-S1-Z(03)	Hungary (HUN)	91R02562Z03
MIX 70-S1-Z(04)	Malaysia (MAL)	91R02562Z04
MIX 70-S1-Z(05)	Poland (POL)	91R02562Z05
MIX 70-S1-Z(06)	Indonesia (IND)	91R02562Z06
MIX 70-S1-Z(07)	Croatia (CRO)	91R02562Z07

## TYPICAL RESPONSE CURVES:

