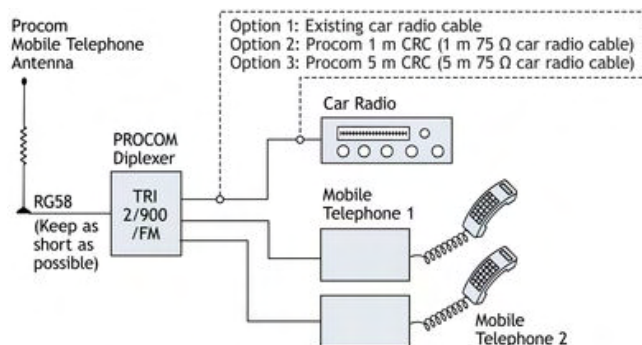


TRI 2/900/FM

Triplexer for Two Mobile Telephones (144 – 175 MHz (COM1) / 880 – 960 MHz (COM2)) and Car Radio (0 – 108 MHz)

DESCRIPTION

- Triplexer for simultaneous operation of two mobile telephones and car radio on a common mobile telephone antenna.
- Excellent coverage of the two bands 144 – 175 MHz and 880 – 960 MHz.
- Extremely small dimensions.
- Quick installation using dual-adhesive pad provided.
- FME-connections on antenna and transceiver terminals
 - CRC (M10 x 0.75) connection on the car radio terminal.
 - 1 m or 5 m Procom 75 Ohm car radio cable available as an option.



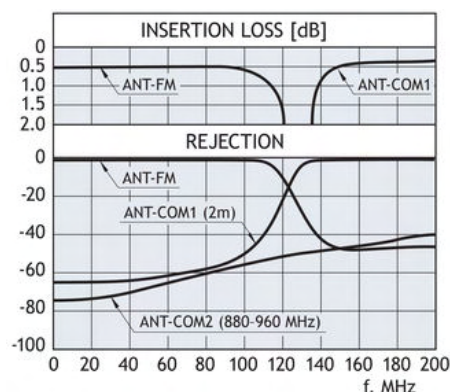
ORDERING DESIGNATIONS

TYPE	PRODUCT NO.
TRI 2/900/FM	200 000 791

SPECIFICATIONS

ELECTRICAL	
MODEL	TRI 2/900/FM
FREQUENCY	Mobile telephone 1 : 144 – 175 MHz (COM1) Mobile telephone 2 : 880 – 960 MHz (COM2) Car radio : 0 – 108 MHz (RADIO)
MAX. INPUT POWER	35 W mobile telephone
INSERTION LOSS	0 - 108 MHz : ≤ 1.0 dB 144 – 175 MHz : ≤ 0.8 dB 880 – 960 MHz : ≤ 0.7 dB
ISOLATION	COM1 to COM2 ≥ 45 dB COM1 to car radio ≥ 35 dB COM2 to car radio ≥ 45 dB
IMPEDANCE	Transceivers : 50 Ω Car radio : 75 Ω
MECHANICAL	
TEMP. RANGE	–30° C → +70° C
CONNECTORS	COM1, COM2, Antenna: FME Car radio: CRC-Connector (M10 x 0.75)
DIMENSIONS (W x H x D)	50 x 21 x 60 mm
WEIGHT	Approx. 68 g
ACCESSORIES	Car radio cable Type 1 m CRC (length 1 m) Type 5 m CRC (length 5 m)

TYPICAL RESPONSE CURVES



INSTALLATION NOTES

1. The 50 Ω cable between antenna and diplexer should be kept as short as possible (preferably not more than 1 m).
2. Some communication antennas have insufficient height to ensure satisfactory broadcast reception. Only antenna whips with a height of at least 25 cm are acceptable.
3. Tuning: The antenna is tuned for best SWR at the operating frequency as usual. The filter is factory-tuned and ready for installation.



PROCOM A/S reserve the right to amend specifications without prior notice.

10/06/2010