

PRO-DIPX 1000/1550-... HP

Diplexer for the 0 - 1000 MHz and 1550 - 2500 MHz Ranges

DESCRIPTION

- Diplexer for combining or splitting the two ranges 0 - 1000 MHz and 1550 - 2500 MHz.
- Excellent wide-band coverage.
- N-connections on all terminals.



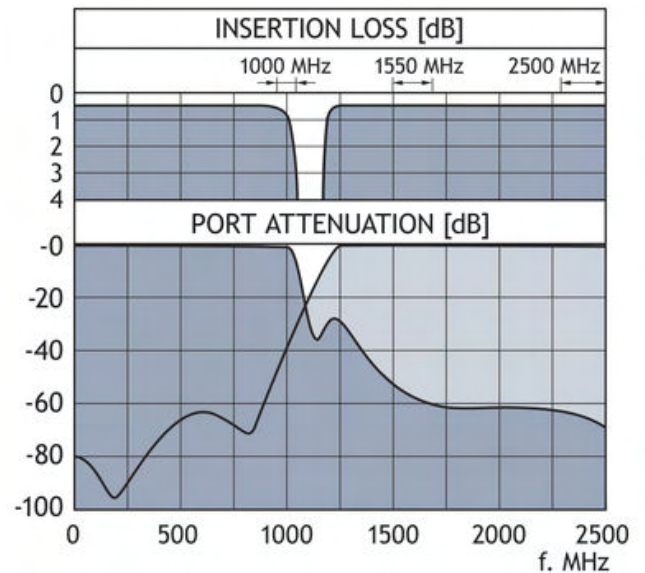
ORDERING DESIGNATIONS

TYPE	PRODUCT NO.
PRO-DIPX 1000/1550-DC-L HP	200 001 622
PRO-DIPX 1000/1550-DC-H HP	200 001 998
PRO-DIPX 1000/1550-DC-LH HP	200 001 999
PRO-DIPX 1000/1550-NO-DC HP	200 002 000

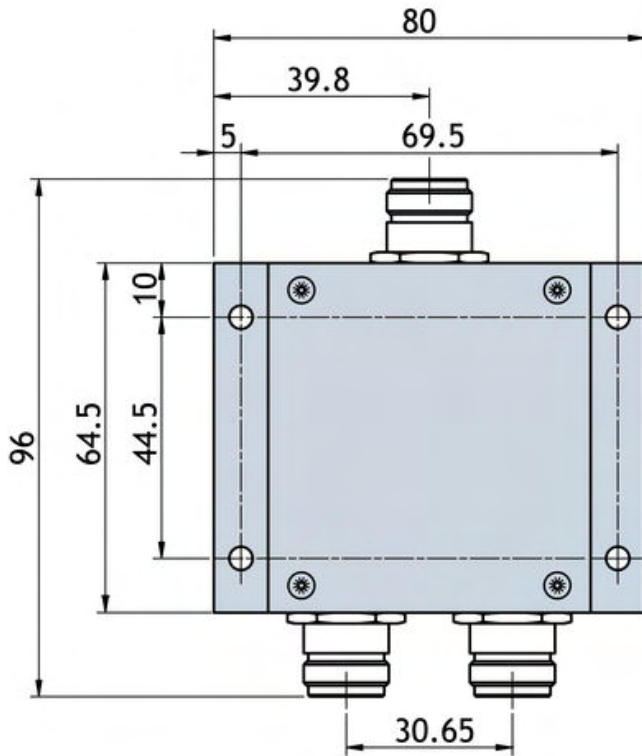
SPECIFICATIONS

ELECTRICAL	
MODEL	PRO-DIPX 1000/1550-... HP
FREQUENCY	Low port : 0 - 1000 MHz High port : 1550 - 2500 MHz
MAX. INPUT POWER	35 W each port
INSERTION LOSS	0 - 1000 MHz : ≤ 0.7 dB 1550 - 2500 MHz: ≤ 0.7 dB
ISOLATION	Low to high port: ≥ 45 dB typical 50 dB
IMPEDANCE	50 Ω on all terminals
MECHANICAL	
TEMP. RANGE	-30° C \rightarrow +70° C
CONNECTORS	Low : N High : N Antenna: N (others on request)
DIMENSIONS (W x H x D)	96 x 32 x 80 mm
WEIGHT	Approx. 350 g
MOUNTING	\varnothing 4.3 mm (4 holes)

CURVES



MOUNTING DETAILS

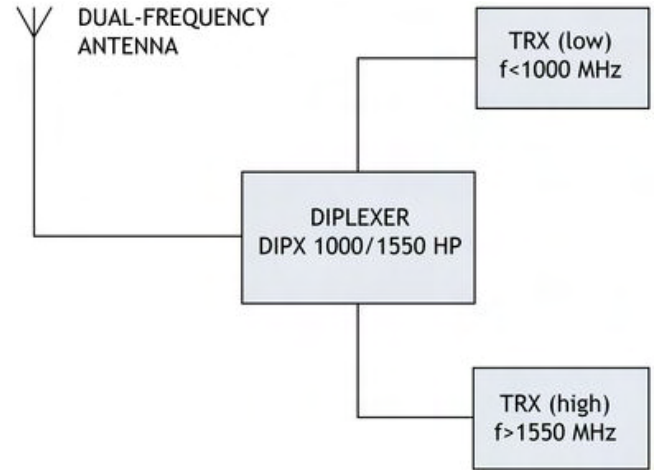


The PRO-DIPX 1000/1550 HP makes it possible to use only one antenna for the operation of two transceivers (one in each range). See the figure below. The antenna must be a dual-frequency antenna, that is, it must be resonant on the actual frequencies in the two bands. The transceivers may be used independently and will have no degrading influence on each other. Typically, the diplexer is installed next to the transceivers and only one cable is used between the diplexer and the antenna. The diplexer is suitable both for base station and mobile use.

The main tasks of the diplexer are to protect the individual receiver input from being destroyed by the transmitter in the contrary band and to ensure a low-loss path between the transmitter and the antenna which is not loaded by the other branch.

The diplexer can be operated together with any set of transceivers operating within the 0 - 1000 MHz and 1550 - 2500 MHz frequency bands.

Dual-frequency antennas are available for both mobile and base station applications.



PROCOM A/S reserve the right to amend specifications without prior notice.

11/06/2010