

FILTERS

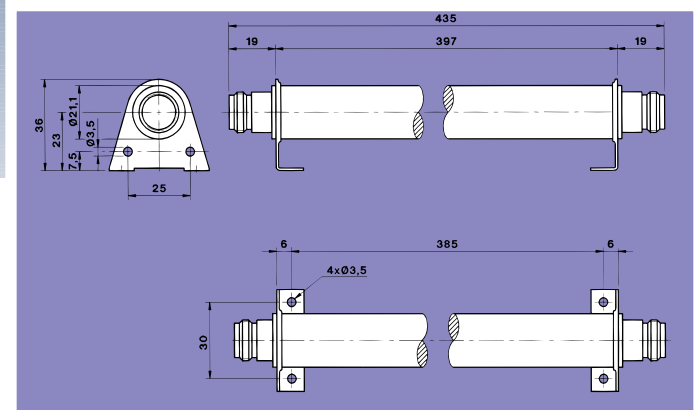
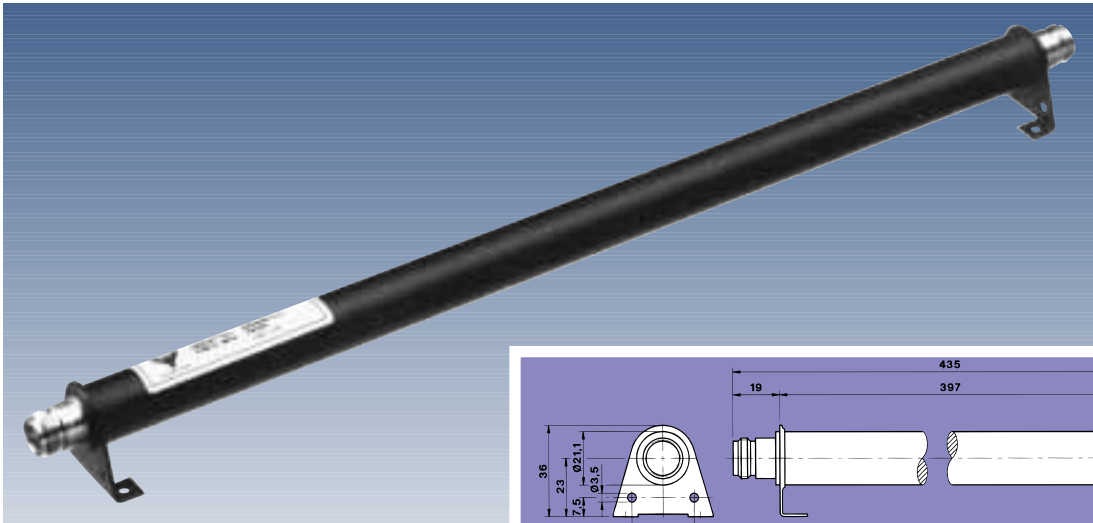
LPZ 175

Coaxial Low-Pass Filter for the 160 MHz Band



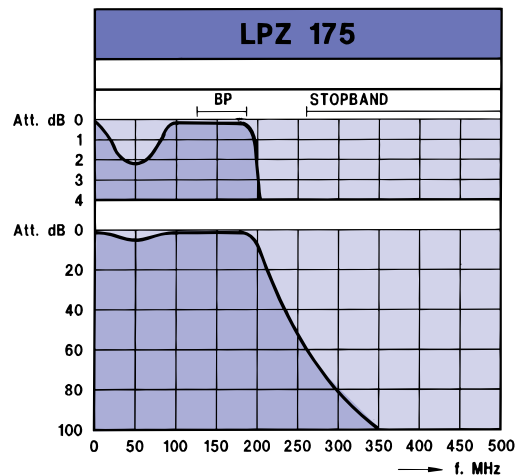
DESCRIPTION:

- ★ Passes all signals in or below the 160 MHz-band.
- ★ Rejects signals above this range.
- ★ Absolute stop band from 270 MHz to 6 GHz
– no degradation at harmonics (Zolotarev-characteristic).
- ★ Attenuation in stop band better than 60 dB.
- ★ Insertion loss in pass range less than 0.4 dB.
- ★ Small size (shorter than 1/4 l).
- ★ Provided with brackets for panel mounting.



SPECIFICATIONS:

ELECTRICAL	
APPLICATION	Low-pass filter for the 160 MHz band
FREQUENCY	Pass band: 135-175 MHz Stop band: 270 MHz - 6 GHz
MAX. INPUT POWER	150 watt
INSERTION LOSS (PASS BAND)	≤ 0.4 dB
1 dB CUT-OFF FREQUENCY	> 180 MHz
ATTENUATION (STOP BAND)	> 60 dB
MECHANICAL	
TEMP. RANGE	-30° C i +80° C
CONNECTORS	N-female
DIMENSIONS (L x W x H)	435 x 40 x 36 mm
WEIGHT	Approx. 530 g



The LPZ 175 is used to prevent RFI (Radio Frequency Interference) caused by excessive harmonic-generation from transmitters operating in the 160 MHz band. By rejection, the filter reduces the amplitude of the harmonics and prevents them from being radiated by the antenna.

The filter is normally used in connection with base station transmitters, but as it is mechanically very ruggedly designed, it is perfectly suited for mobile and marine applications as well.

PROCOM A/S reserve the right to amend specifications without prior notice.