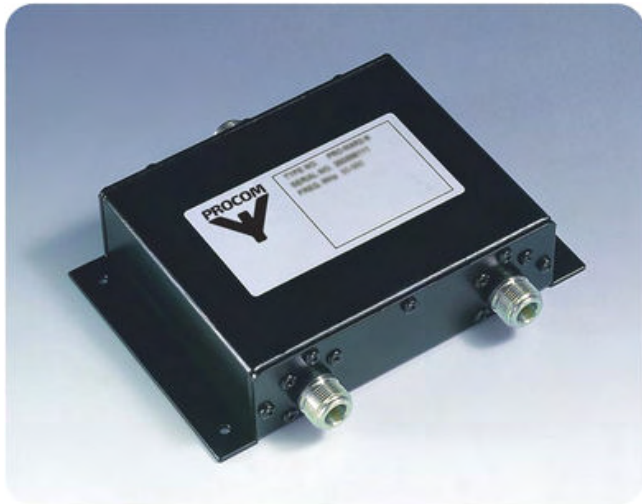


PRO-PDI2-40-1G-20 dB-10W-N

Power Divider 1:100

DESCRIPTION

- 10 W unequal power divider.
- The divider covers the frequency range from 40 - 1000 MHz.
- Very little ripple on divider output over the entire frequency range.

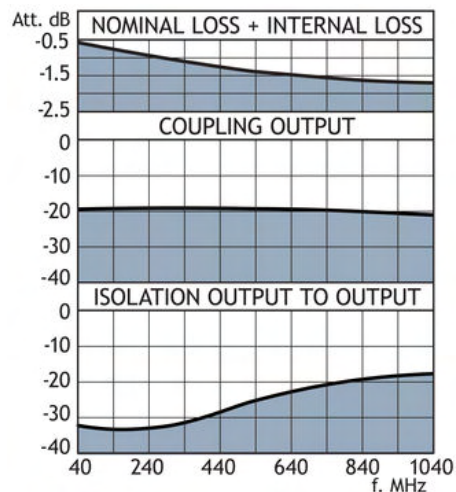
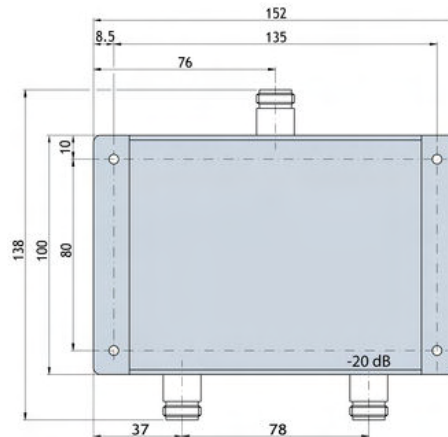


ORDERING DESIGNATIONS

TYPE	PRODUCT NO.
PRO-PDI2-40-1G-20 dB-10W-N	210000445

SPECIFICATIONS

ELECTRICAL	
MODEL	PRO-PDI2-40-1G-20 dB-10W-N
FREQUENCY RANGE	40 - 1000 MHz
MAX. INPUT POWER	10 W
NOMINAL DIVIDER LOSS	0.04 dB
TOTAL LOSS INCL. NOMINAL LOSS	≤ 0.8 dB @ 40 MHz ≤ 1.7 dB @ 1000 MHz
ISOLATION OUTPUT TO OUTPUT	> 15 dB
DIVIDER OUTPUT	-20 dB ± 1.0 dB
IMPEDANCE	Nom. 50 Ω
INPUT SWR	< 1.5
MECHANICAL	
TEMP. RANGE	-30°C → +60°C
CONNECTORS	N-female
DIMENSIONS	138 (incl. connectors) x 152 (incl. flanges) x 35 mm
WEIGHT	Approx. 360 g



PROCOM A/S reserve the right to amend specifications without prior notice.

19/11/2010