

# PRO-RPS-2-GPS-N

## 2-Channel RX Power Splitter

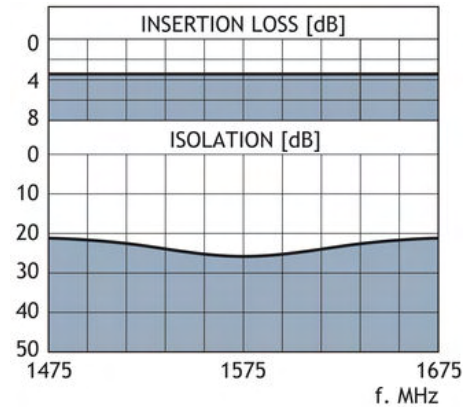
### DESCRIPTION

- Passive receiver power splitter.
- Large frequency range: 1500 MHz to 1650 MHz.
- High isolation between outputs: > 20 dB.
- To be used where RF-signals, especially GPS-signals, are to be divided or combined:
  - more receivers connected to the same coaxial cable
  - more GPS-antennas on the same coaxial cable
  - spectrum analyzer and GPS-receiver on the same coaxial cable.
- N-female on all ports. (Other connector types on request).
- DC-pass on all ports. (Other possibilities on request).



### SPECIFICATIONS

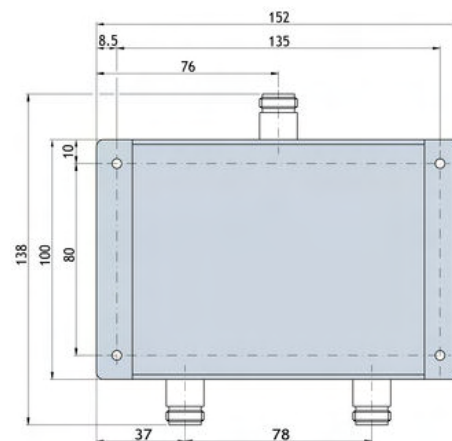
ELECTRICAL	
MODEL	PRO-RPS-2-GPS-N
FREQUENCY RANGE	1500 - 1650 MHz
INSERTION LOSS [S12]	3.5 dB ± 0.5 dB
ISOLATION OUTPUT TO OUTPUT	Min. 20 dB typ. ≥ 25 dB
INPUT SWR	Max. 1.5 typ. < 1.3
OUTPUT SWR	Max. 1.5 typ. < 1.3
POWER HANDLING	Max. 0.5 W each port
DC-PASS	Yes - all ports
MECHANICAL	
TEMP. RANGE	-30° C → +60° C
CONNECTORS	N-female
DIMENSIONS (L x W x H)	138 (incl. conn.) x 152 (incl. flanges) x 35 mm
WEIGHT	280 g
MOUNTING	ø4 mm (4 holes)



### ORDERING DESIGNATIONS

TYPE	PRODUCT NO.
PRO-RPS-2-GPS-N	210000765

### MOUNTING DETAILS



PROCOM A/S reserve the right to amend specifications without prior notice.

19/03/2010