

PRO-IS-380-S1, PRO-IS-380-D1

Single and Dual Isolators for the TETRA Band

DESCRIPTION

- Medium power single or dual isolators for 380 – 470 MHz.
- Used for isolation / protection of transmitters.
- High frequency stability on temperature and power.
- The standard 35 W dummy load can easily be interchanged to other values.
- Tunable within the frequency range.
- The isolators have black coating to prevent corrosion.



PRO-IS-380-S1

PRO-IS-380-D1

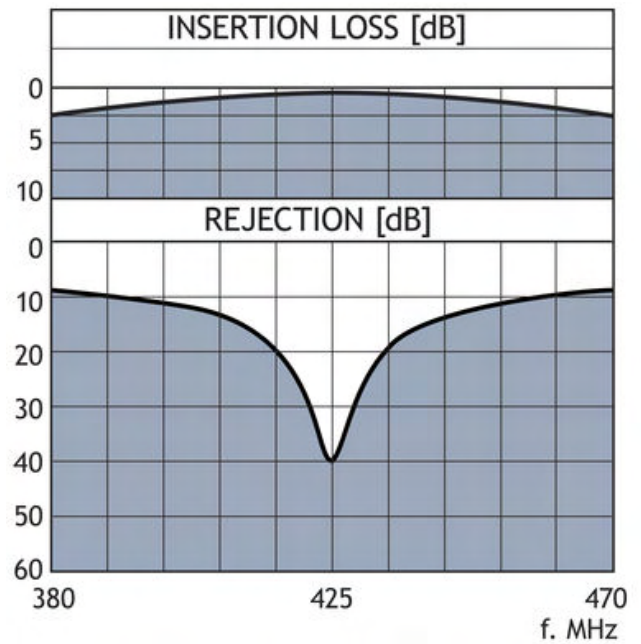
ORDERING DESIGNATIONS

TYPE	PRODUCT NO.
PRO-IS-380-S1	210001119
PRO-IS-380-D1	210001000

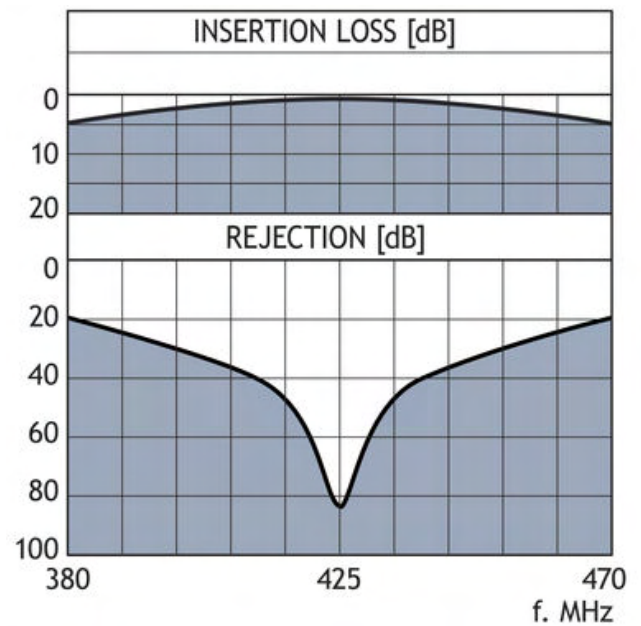
SPECIFICATIONS

ELECTRICAL		
MODEL	PRO-IS-380-S1	PRO-IS-380-D1
FREQUENCY	380 - 470 MHz	380 - 470 MHz
MAX. INPUT POWER	150 W	150 W
INSERTION LOSS	< 0.5 dB	< 1.0 dB
ISOLATION	Typ. >40 dB @ 25°C	Typ. >80 dB @ 25°C
Temp. range 0 - 60° C	>20 dB	>40 dB
Temp. range -10 - 60° C	>17 dB	>35 dB
IMPEDANCE	Nom. 50 Ω	Nom. 50 Ω
SWR	≤ 1.5	≤ 1.5
MECHANICAL		
CONNECTORS	N-female	N-female
DIMENSIONS (L x W x H)	57 x 58 x 41 mm	107 x 58 x 41 mm
WEIGHT	Approx. 400 g	Approx. 800 g
MOUNTING	M4 mm	M4 mm

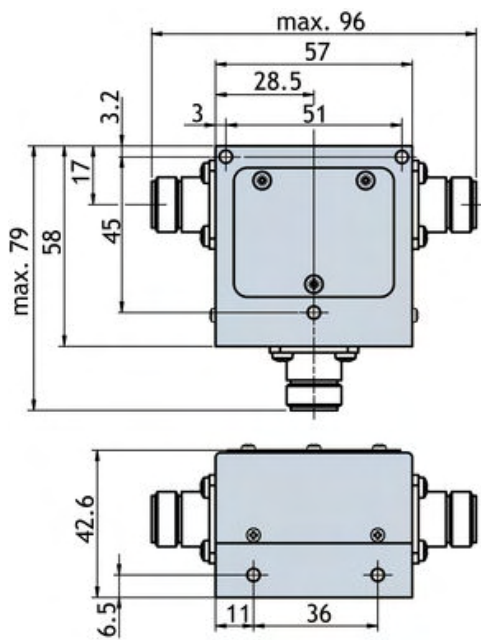
PRO-IS-380-S1



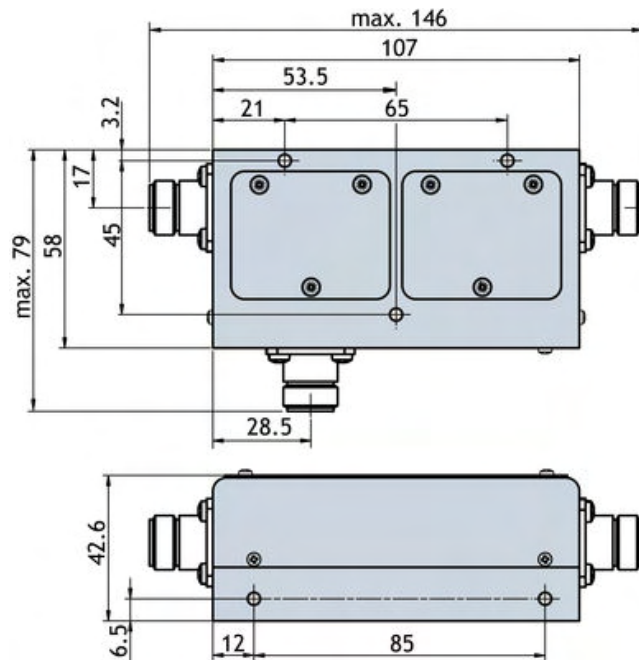
PRO-IS-380-D1



PRO-IS-380-S1
MOUNTING DETAILS



PRO-IS-380-D1
MOUNTING DETAILS



PROCOM A/S reserve the right to amend specifications without prior notice.

13/09/2010