

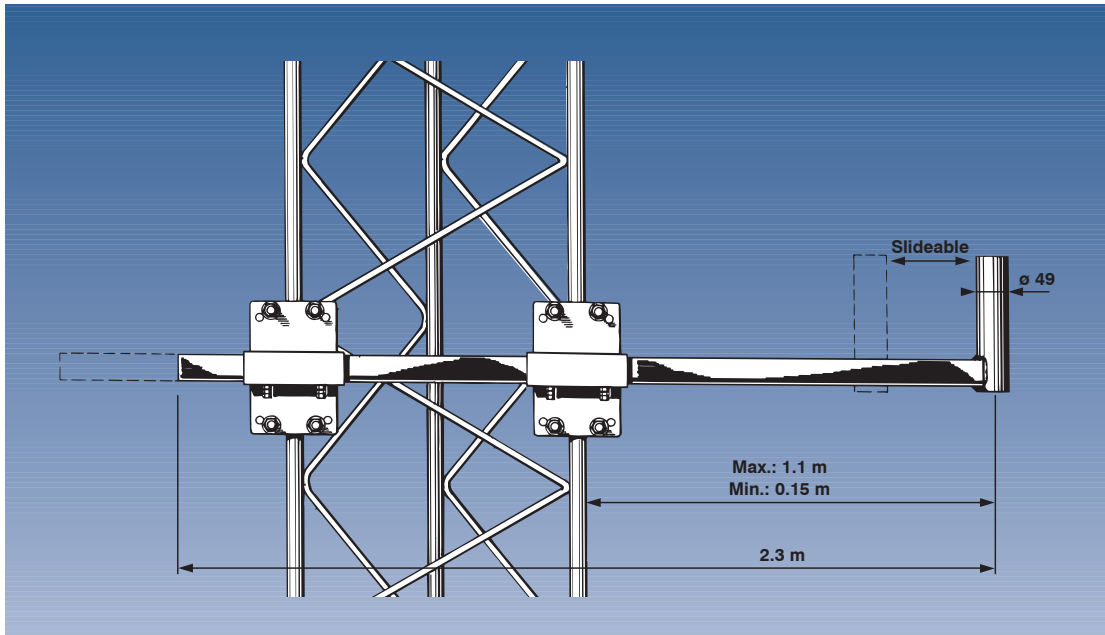
SMC 2300/30-65

Slideable Side-Mounting Arm for Base Station Antennas



DESCRIPTION:

- ★ This slideable side-mounting arm provides the possibility of mounting the antenna on the arm with the arm in retracted state (antenna close to tower).
- ★ After mounting the antenna on the arm, the arm can be slid out to the required stand-off distance.
- ★ Eliminates dangerous struggling with heavy antennas at the end of fixed-length stand-off arms.
- ★ SMC 2300/30-65 consists of:
 - Two mast fixation clamps for mast leg diameters 30-65 mm (for fixation across two mast legs).
 - One 2.3 m long slideable arm.



SPECIFICATIONS:

APPLICATION	Slideable side-mounting arm for base station antennas
TOTAL LENGTH OF ARM	2.3 m
REQUIREMENTS CONCERNING SUPPORTING STRUCTURE	Mounts across two legs of square or triangular towers with round legs Max. dia. 65 mm Min. dia. 30 mm
STAND OFF DISTANCE	Depending on side-length of mast. With a distance between mast legs of 1 m, side-mounting distance will be variable from 0.15 m to 1.10 m
DIA. OF ANTENNA MOUNTING TUBE	Ø 49 mm
RECOMMENDED MAX. WIND SURFACE OF ANTENNA	0.150 m ²
RECOMMENDED MAX. WEIGHT OF ANTENNA	8 kg
WIND SURFACE (Excl. antenna)	0.073 m ²
WIND LOAD (Excl. antenna)	93 N @ 160 km/h
MATERIALS	Hot-dipped galvanized steel
WEIGHT	Approx. 10 kg

PLEASE NOTE:

The optimum position for an omnidirectional antenna is at the top of the mast as this ensures undisturbed radiation in all horizontal directions. Mounting of an omnidirectional antenna at the side of a mast imposes some distortion of the radiation pattern as well as the SWR. The influence is dependent on the distance to the mast and the mast diameter. Often this effect can be advantageously exploited to create directional patterns when a certain "preferred area" has to be covered by the antenna system.