

LW-GP

Universal Mast Mounting Clamp for Ground-plane
Antennas with 38 mm GP head

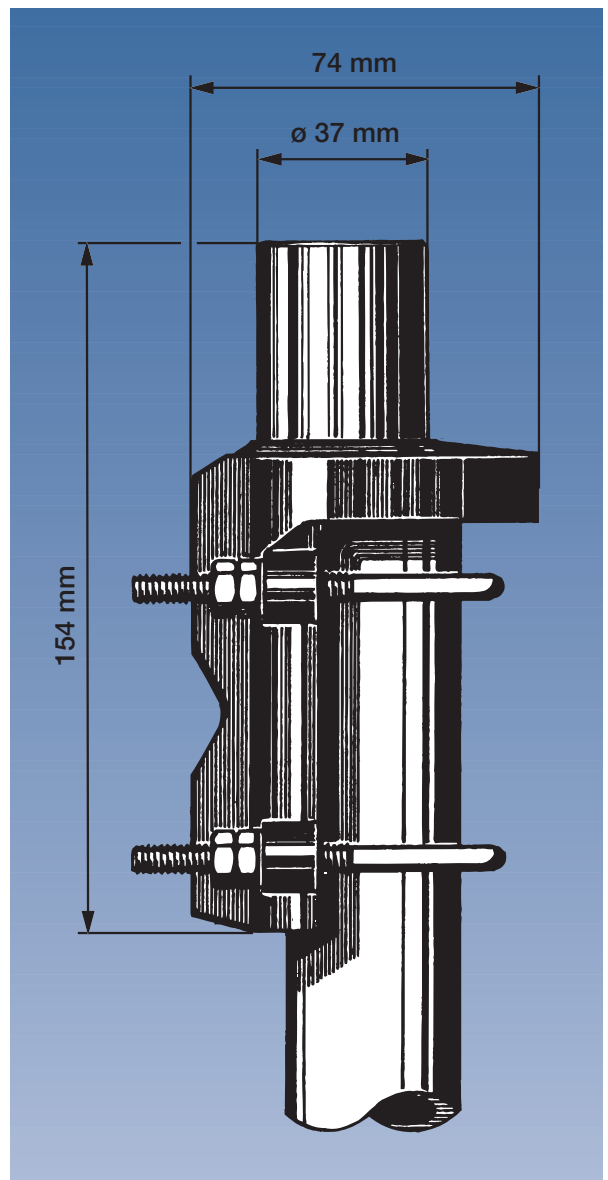


DESCRIPTION:

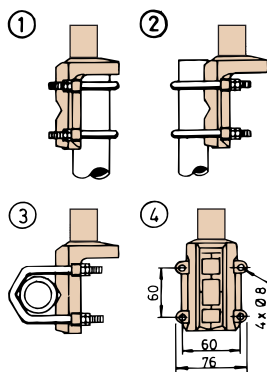
- ★ Using the LW-GP universal mast mounting clamp, all ground-plane antennas can be mounted on any kind of horizontal or vertical supporting mast tube, as long as the outer diameter of the tube is within 16 to 54 mm.
- ★ The LW-GP is a lightweight, epoxy-coated mounting clamp made of non-corrosive aluminium. The accompanying U-bolts and nuts are made of stainless steel.
- ★ The construction of the clamp makes it possible to run the downlead cable either along the inside or on the outside of the mast tube.
- ★ Please note that an antenna should always be mounted as high and as unobstructed as possible. Objects in the vicinity of the antenna, especially parallel metallic parts (other antennas, wires etc.) may have considerable degrading influence on the SWR and the radiation pattern of the antenna.

SPECIFICATIONS:

MODEL	LW-GP
APPLICATION	Universal clamp for mounting GP-... antennas with GP heads for 38mm mast tubes on vertical or horizontal mast tubes with 16-54 mm diameter
COLOUR	Gold
DIMENSIONS	See drawing
WEIGHT	Approx. 0.39 kg
MOUNTING	On 16-54 mm dia. mast tube, see drawing



INSTALLATION DETAILS:



- ① Mast tube D_i , min. = 30 mm
Mast tube D_o , max = 54 mm
- ② Mast tube D_o , max = 54 mm
Mast tube D_o , min = 16 mm
- ③ Mast tube D_o , max = 54 mm
Mast tube D_o , min = 16 mm