

PCPI 434/868/RHCP

Indoor Right Hand Circular Polarised Antenna for 434 MHz and 868 MHz

DESCRIPTION

- Dual frequency indoor base station antenna - one antenna with two frequencies.
- Low profile antenna for the 434 MHz and 868 MHz frequencies.
- PCPI 434/868/RHCP is a **Right Hand Circular Polarised** antenna for indoor use e.g. on ceilings and walls inside ships and houses.
- Circular polarisation is chosen to avoid out-of-phase signals.
- Reduces flutter considerably.
- Specially designed for closed rooms.
- Covers 434 MHz and 868 MHz frequencies with a radiation of approx. 2 dBic 0 dBd.
- The two built-in antennas are combined with a built-in diplexer, with low insertion loss, which makes it possible to have only one downlead cable.
- The antenna is carefully sealed with a discreet cover.
- The antenna is provided with 1 connector.
- The connector is placed at one side to enable mounting close to a wall or a ceiling.



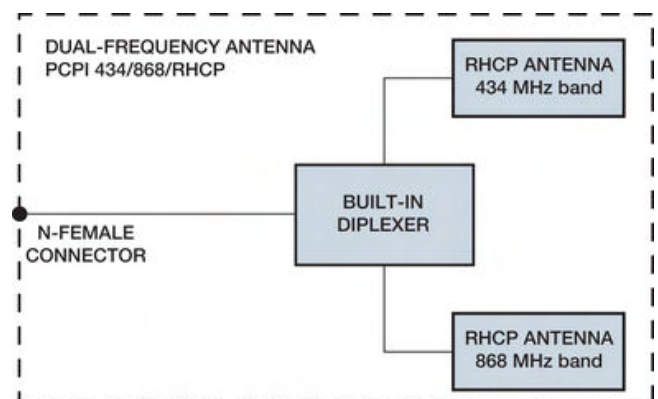
ORDERING DESIGNATIONS

TYPE	PRODUCT NO.
PCPI 434/868/RHCP	100000264

SPECIFICATIONS

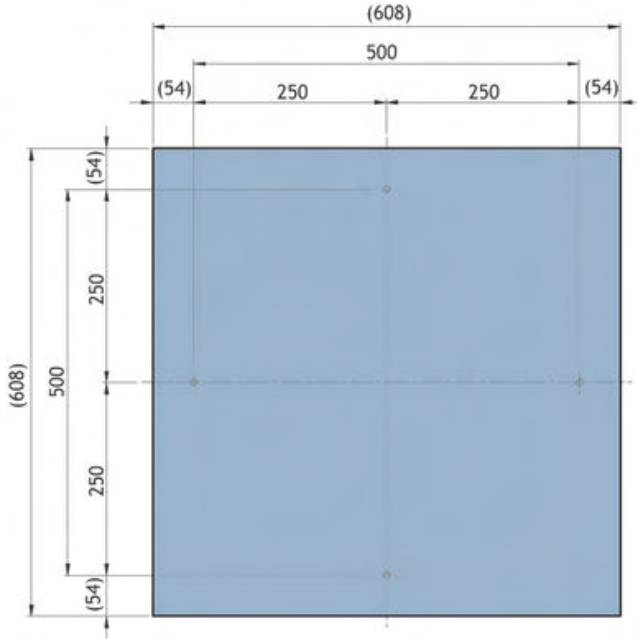
ELECTRICAL	
MODEL	PCPI 434/868/RHCP
ANTENNA TYPE	Right hand circular polarised dual frequency antenna
FREQUENCY	434 / 868 MHz
IMPEDANCE	Nom. 50 Ω
POLARISATION	Circular (right hand)
GAIN	Approx. 2 dBic 0 dBd ± 3 dB
HALF POWER BEAMWIDTH	Approx. 60° (H- and E-plane)
BAND WIDTH	434 MHz: ≥ 8 MHz @ SWR ≤ 2.0 868 MHz: ≥ 20 MHz @ SWR ≤ 2.0
SWR	≤ 1.5 @ f.res.
MAX. POWER	35 W
MECHANICAL	
CONNECTOR	N-female
COLOUR	Marine white
MATERIALS	Cover: PS (white) Chassis: Stainless steel
SIZE (L x W)	Approx. 608 x 608 mm
HEIGHT	Approx. 90 mm
WEIGHT	Approx. 6.0 kg
MOUNTING	∅ 5.5 mm (4 holes) For optimum performance a groundplane of 1 x 1 m is required

ELECTRICAL FOR BUILT IN DIPLEXER	
MODEL	DIPX 500/800
FREQUENCY	Low port : 0 - 500 MHz High port : 800 - 1300 MHz
MAX. INPUT POWER	35 W each port
INSERTION LOSS	0 - 500 MHz : ≤ 0.5 dB 800 - 1300 MHz: ≤ 0.5 dB
ISOLATION	Low to high port: ≥ 45 dB
TEMP. RANGE	-30° C → +70° C

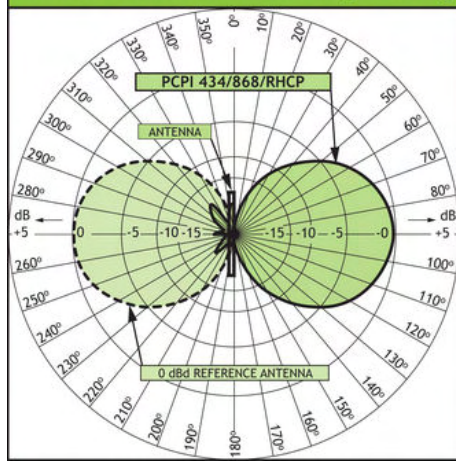


MOUNTING DETAILS

(Dimensions excl. cover)

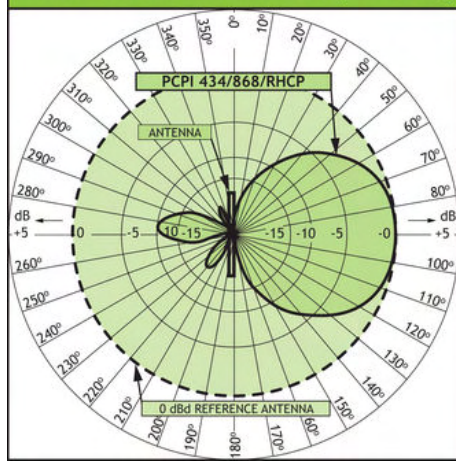


TYPICAL RADIATION PATTERN (E-PLANE)

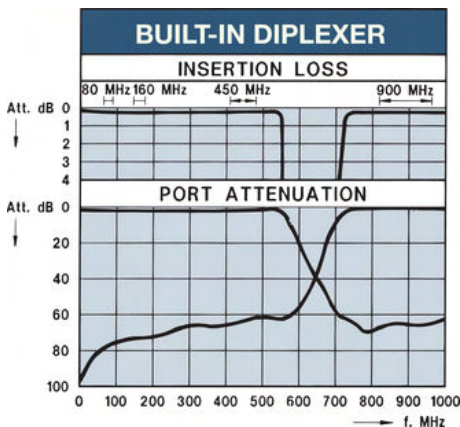
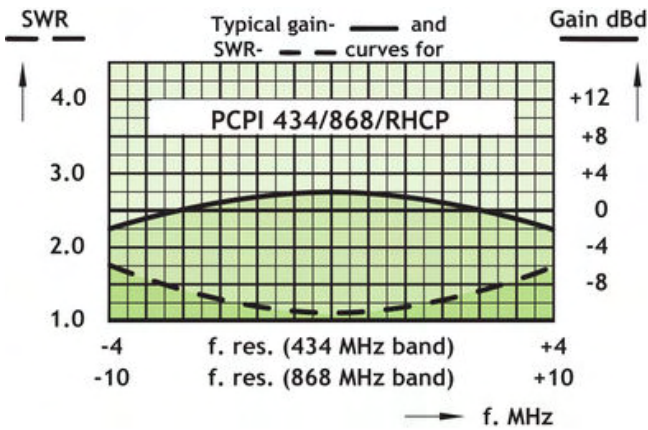


This curve shows the radiation patterns in the vertical plane.

TYPICAL RADIATION PATTERN (H-PLANE)



This curve shows the radiation patterns in the horizontal plane (horizontal coverage).



PROCOM A/S reserve the right to amend specifications without prior notice.

02/07/2009