

PCPI 70/900/xHCP/...

Indoor Left or Right Hand Circular Polarised Antenna for the 450 MHz and RHCP for 900 MHz Bands

DESCRIPTION

- Dual band indoor base station antenna - one antenna with two bands.
- Low profile antenna for the 450 MHz and 900 MHz bands.
- PCPI 70/900/xHCP/... is a **Left or Right Hand Circular Polarised** antenna for indoor use e.g. on ceilings and walls inside ships and houses.
- 900 MHz band is fixed RHCP.
- Circular polarisation is chosen to avoid out-of-phase signals.
- Reduces flutter considerably.
- Specially designed for closed rooms.
- Covers 450 MHz and 900 MHz bands with a radiation of approx. 2 dBic 0 dBd.
- The two built in antennas are combined with a built in diplexer, with low insertion loss, which makes it possible to have only one downlead cable.
- The antenna is carefully sealed with a discreet cover.
- The antenna is provided with 1 connector.
- The connector is placed at one side to enable mounting close to a wall or a ceiling.
- Chassis also available in stainless steel PCPI 70R/900/xHCP/... (see ordering designations below).



ELECTRICAL FOR BUILT IN DIPLEXER	
MODEL	DIPX 500/800
FREQUENCY	Low port : 0 - 500 MHz High port : 800 - 1300 MHz
MAX. INPUT POWER	35 W each port
INSERTION LOSS	0 - 500 MHz : ≤ 0.5 dB 800 - 1300 MHz: ≤ 0.5 dB
ISOLATION	Low to high port: ≥ 45 dB
TEMP. RANGE	-30° C → +70° C

SPECIFICATIONS

ELECTRICAL	
MODEL	PCPI 70/900/xHCP/...
ANTENNA TYPE	Left or right hand circular polarised dual band antenna
FREQUENCY	450 MHz freq. to be stated within: 380 - 470 MHz 900 MHz freq. to be stated within: 880 - 960 MHz
IMPEDANCE	Nom. 50 Ω
POLARISATION	Circular
GAIN	Approx. 2 dBic 0 dBd ± 3 dB
BAND WIDTH	450 MHz: ≥ 20 MHz @ SWR ≤ 2.0 900 MHz: ≥ 80 MHz @ SWR ≤ 2.0
HALF POWER BEAMWIDTH	Approx. 60° (H- and E-plane)
SWR	≤ 1.5 f.res.
MAX. POWER	35 W
MECHANICAL	
CONNECTOR	N-female
COLOUR	Marine white
MATERIALS	Cover: PS (white) Chassis: Aluminium
SIZE (L x W)	Approx. 415 x 415 mm
HEIGHT	Approx. 70 mm
WEIGHT	Approx. 2.0 kg
MOUNTING	For mounting on wall or ceiling ø4.5 x 20 mm (4 holes)

STANDARD VERSION ORDERING DESIGNATIONS

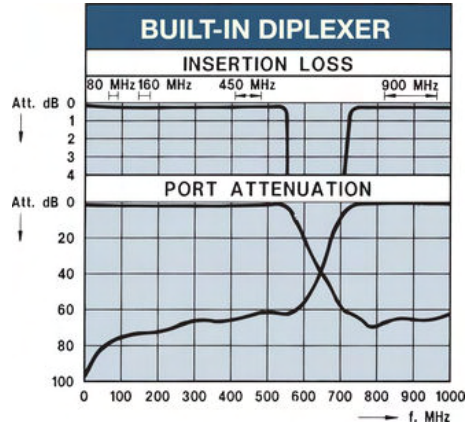
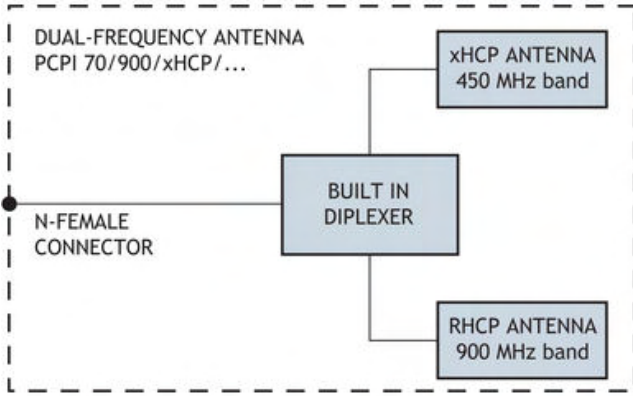
TYPE	FREQUENCY	PRODUCT NO.
PCPI 70/900/LHCP/s	380 - 400 MHz	100000248
PCPI 70/900/LHCP/f	410 - 430 MHz	100000249
PCPI 70/900/LHCP/l	430 - 450 MHz	100000250
PCPI 70/900/LHCP/h	450 - 470 MHz	100000251

TYPE	FREQUENCY	PRODUCT NO.
PCPI 70/900/RHCP/s	380 - 400 MHz	100000252
PCPI 70/900/RHCP/f	410 - 430 MHz	100000253
PCPI 70/900/RHCP/l	430 - 450 MHz	100000254
PCPI 70/900/RHCP/h	450 - 470 MHz	100000255

STAINLESS STEEL VERSION ORDERING DESIGNATIONS

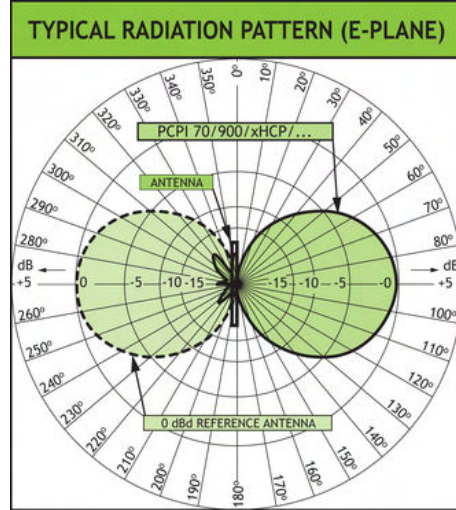
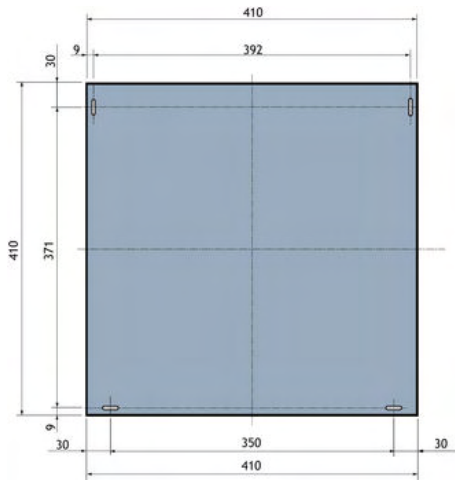
TYPE	FREQUENCY	PRODUCT NO.
PCPI 70R/900/LHCP/s	380 - 400 MHz	100000256
PCPI 70R/900/LHCP/f	410 - 430 MHz	100000257
PCPI 70R/900/LHCP/l	430 - 450 MHz	100000258
PCPI 70R/900/LHCP/h	450 - 470 MHz	100000259

TYPE	FREQUENCY	PRODUCT NO.
PCPI 70R/900/RHCP/s	380 - 400 MHz	100000260
PCPI 70R/900/RHCP/f	410 - 430 MHz	100000261
PCPI 70R/900/RHCP/l	430 - 450 MHz	100000262
PCPI 70R/900/RHCP/h	450 - 470 MHz	100000263

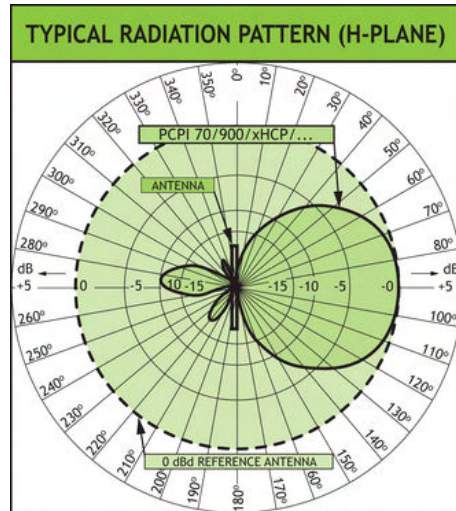
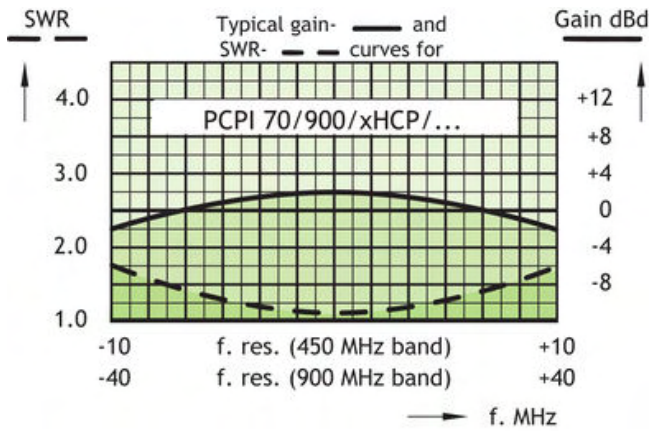


MOUNTING DETAILS

(Dimensions excl. cover)



This curve shows the radiation patterns in the vertical plane.



This curve shows the radiation patterns in the horizontal plane (horizontal coverage).



PROCOM A/S reserve the right to amend specifications without prior notice.

02/07/2009