

XCPI 160/450/RHCP/.../...

Indoor Right Hand Circular Polarised Antenna for the 160 MHz and 450 MHz Bands



DESCRIPTION:

- ★ Dual band indoor base station antenna - one antenna with two bands.
- ★ Low profile antenna for the 160 MHz and 450 MHz bands.
- ★ XCPI 160/450/RHCP/.../... is a Right Hand Circular Polarised antenna for indoor use e.g. ceilings and walls inside ships and houses.
- ★ Circular polarisation is chosen to avoid out-of-phase signals.
- ★ Reduces flutter considerably.
- ★ Specially designed for closed rooms.
- ★ Covers 160 MHz and 450 MHz bands with a radiation of approx. 2 dBic 0 dBd.
- ★ The two built in antennas are combined with a diplexer, built in diplexer, with low insertion loss, which make it possible to have only one download cable.
- ★ The antenna is carefully sealed with a discreet cover.
- ★ The antenna is provided with 1 connector.
- ★ The connector is placed at one side to enable mounting close to a wall or a ceiling.
- ★ When ordering the antenna, please state the centre frequency on each band.

SPECIFICATIONS:

ELECTRICAL	
MODEL	XCPI 160/450/RHCP/.../...
ANTENNA TYPE	Right hand circular polarised dual band antenna
FREQUENCY	160 MHz freq. to be stated within: 144-175 MHz 450 MHz freq. to be stated within: 380-470 MHz
IMPEDANCE	Nom. 50 Ω
POLARISATION	Circular (Right hand)
GAIN	Approx. 2 dBic 0 dBd ± 3 dB
BAND WIDTH	160 MHz: ≥ 8 MHz @ SWR ≤ 2.0 450 MHz: ≥ 20 MHz @ SWR ≤ 2.0
HALF-POWER BEAMWIDTH	Approx. 60° (H- and E-plane)
SWR	≤ 1.5 @ f.res.
MAX. POWER	25 watts
MECHANICAL	
CONNECTOR	N-female
COLOUR	Marine white
MATERIALS	Cover: PS (white) Chassis: Stainless steel
SIZE (L x W)	Approx. 608 x 608 mm
HEIGHT	Approx. 90 mm
WEIGHT	Approx. 6.0 kg
MOUNTING	ø 5.5 mm (4 holes) For optimum performance a groundplane of 1 x 1 m is required

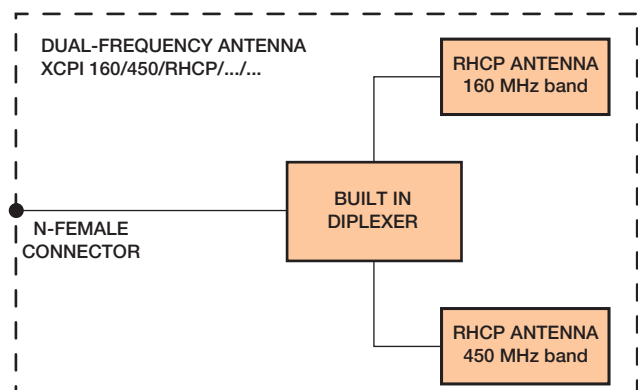


ORDERING DESIGNATIONS:

When ordering the antenna, please state the centre frequency on each band.

SPECIFICATIONS:

ELECTRICAL FOR BUILT IN DIPLEXER	
FREQUENCY	Low port : 0-225 MHz High port : 330-1300 MHz
MAX. INPUT POWER	25 watts each port
INSERTION LOSS	0-225 MHz : ≤ 0.5 dB 330-1300 MHz: ≤ 0.5 dB
ISOLATION	Low to high port: ≥ 45 dB



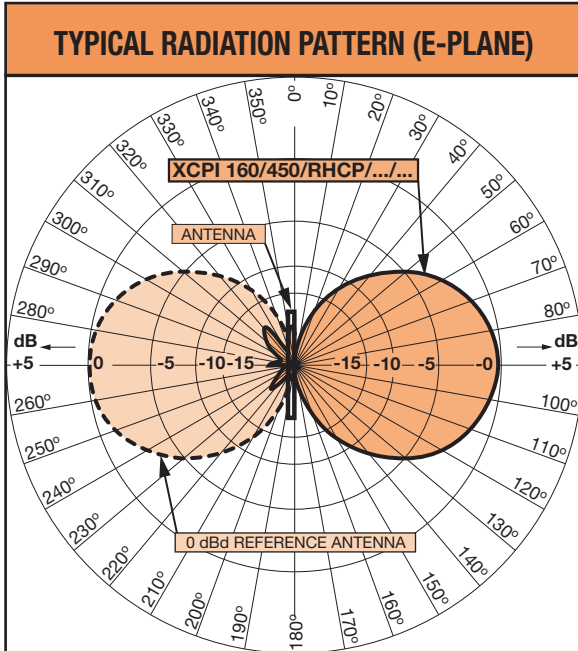
PROCOM A/S reserve the right to amend specifications without prior notice.

XCPI 160/450/RHCP/.../...

*Indoor Right Hand Circular Polarised Antenna
for the 160 MHz and 450 MHz Bands*

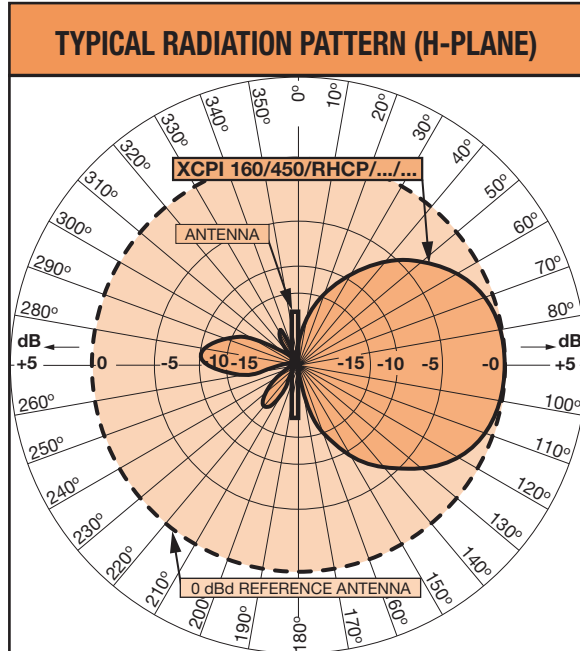


TYPICAL RADIATION PATTERN (E-PLANE)



This curve shows the radiation patterns in the vertical plane.

TYPICAL RADIATION PATTERN (H-PLANE)



This curve shows the radiation patterns in the horizontal plane (horizontal coverage).

MOUNTING DETAILS:

