

G-CXL 900/1800LW

Dual Band Base Station and Marine Antenna for the 900 MHz and the 1800 MHz Bands. Designed for defense units.

DESCRIPTION

- Dual band base station and marine antenna – two bands with only one antenna.
- Covering both GSM/NMT-900 and DCS-1800/PCN (GSM 900/1800).
- Particularly suitable for use with dual-band mobile phones.
- Unity gain on both bands.
- Wide variety of accessory mounting brackets available.
- The carefully designed, broad-banded antenna element is sealed in a high-quality, conical glass fibre tube with low wind-load, which will ensure performance undisturbed by corrosive environments.
- Provided with the sturdy "LW" mast mount – a lightweight, multipurpose, black mounting bracket made of non-corrosive aluminium.
- The cable can be led either on the outside or along the inside of the mast tube.
- Large bandwidth with respect to both SWR and gain.
- To substantially reduce noise caused by atmospherical discharges, all metal parts in the antenna are DC-grounded. Consequently, the antenna shows a DC-short across the coaxial cable.



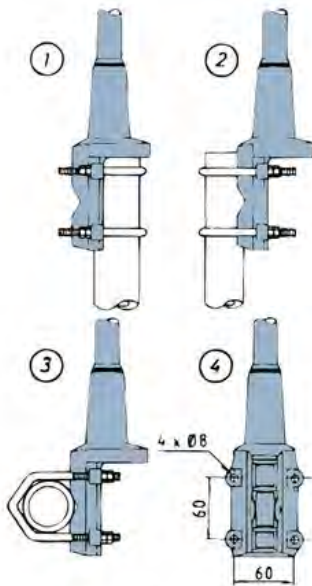
SPECIFICATIONS

| ELECTRICAL | |
|-----------------------|---|
| MODEL | G-CXL 900/1800LW |
| ANTENNA TYPE | Dual band base station and marine antenna |
| FREQUENCY | 890-960 MHz/1710-1880 MHz (GSM 900/1800) |
| IMPEDANCE | Nom. 50 Ω |
| POLARIZATION | Vertical |
| GAIN | Unity (both bands) |
| MAX. POWER | 100 W |
| ANTISTATIC PROTECTION | All metal parts DC-grounded (Connector shows a DC-short) |
| MECHANICAL | |
| TEMP. RANGE | -30°C \rightarrow +70°C |
| CONNECTOR | N-female |
| WIND SURFACE | Approx. 0.018 m ² |
| WIND LOAD | Approx. 23 N @ 160 km/h |
| COLOUR | Green |
| MATERIALS | Shroud: Polyurethane coated glass fibre Mounting bracket: Seawater resistant aluminium, black Clamps: Stainless steel |
| TOTAL HEIGHT | Approx. 500 mm |
| DIA. IN TOP END | 21 mm |
| DIA. IN BOTTOM END | 23 mm |
| WEIGHT | Approx. 600 g |
| MOUNTING | On 16 to 54 mm dia. mast tube |

ORDERING DESIGNATIONS

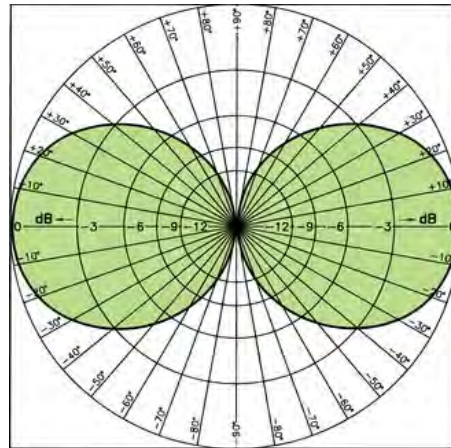
| TYPE NO. | PRODUCT NO. |
|------------------|-------------|
| G-CXL 900/1800LW | 110000190 |

MULTI-PURPOSE MOUNTING BRACKET

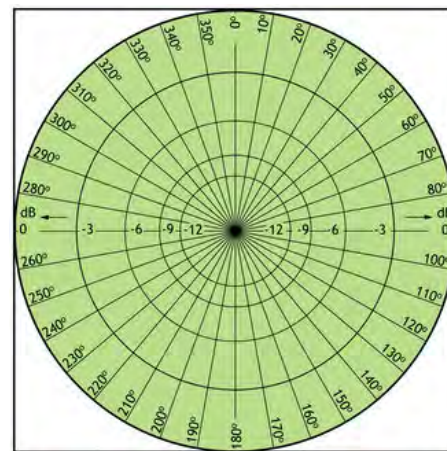


- ① Mast tube D_1 min = 30 mm
Mast tube D_0 max = 54 mm
- ② Mast tube D_0 max = 54 mm
Mast tube D_0 min = 16 mm
- ③ Mast tube D_0 max = 54 mm
Mast tube D_0 min = 16 mm

TYPICAL RADIATION PATTERN (E-PLANE)



TYPICAL RADIATION PATTERN (H-PLANE)



PLEASE NOTE

The antenna is delivered with a DC-connection between the antenna element and the mounting bracket.



PROCOM A/S reserve the right to amend specifications without prior notice.

13/05/2011