

G-CXL 2400-1LW/...

0 dBd Omnidirectional Base Station and Marine Antenna for the 2400 MHz Band. Designed for defense units.

DESCRIPTION

- Vertically polarised, omnidirectional base station and marine antenna.
- Provided with the sturdy "LW" mast mount – a lightweight, multipurpose, epoxy-coated mounting bracket made of non-corrosive aluminium.
- The cable can be led either on the outside or along the inside of the mast tube.
- Large bandwidth with respect to both SWR and gain.
- Highly suitable for duplex operation with large spacing between the TX and the RX frequencies.
- The antenna element is sealed in a high-quality, conical glass fibre tube.
- All metal parts in the antenna are DC-grounded to reduce the noise caused by atmospherical discharge.
- Consequently, the antenna shows a DC-short across the coaxial cable.



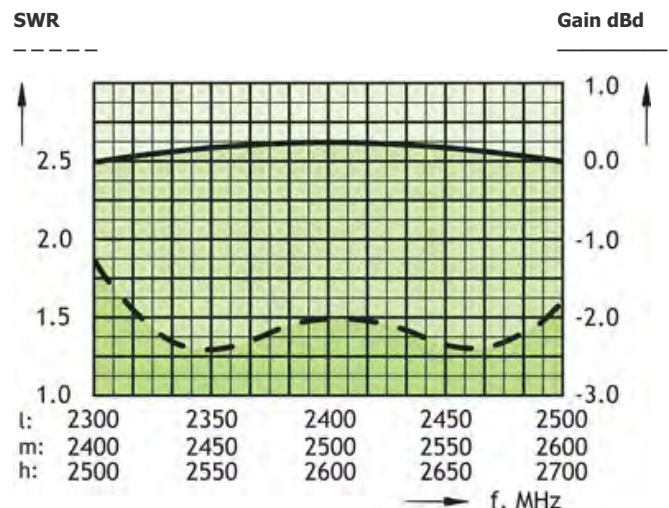
ORDERING DESIGNATIONS

TYPE NO.	FREQUENCY	PRODUCT NO.
G-CXL 2400-1LW/l	2300 – 2500 MHz	100000273
G-CXL 2400-1LW/m	2400 – 2600 MHz	100000274
G-CXL 2400-1LW/h	2500 – 2700 MHz	100000275

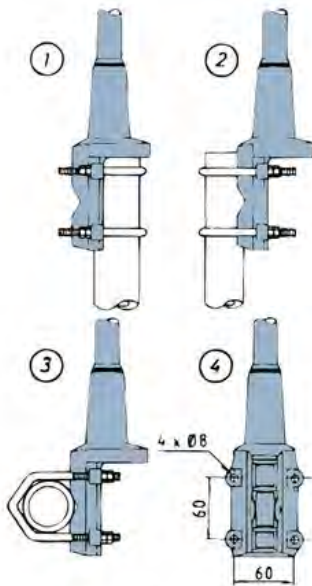
SPECIFICATIONS

ELECTRICAL	
MODEL	G-CXL 2400-1LW/...
ANTENNA TYPE	Coaxial, colinear antenna, broadbanded
FREQUENCY	Models within 2300 – 2700 MHz
IMPEDANCE	Nom. 50 Ω
POLARIZATION	Vertical
GAIN	2 dBi 0 dBd
BANDWIDTH	≥ 100 MHz @ SWR ≤ 1.5
SWR	≤ 2.0, typ. ≤ 1.5
MAX. POWER	100 W
ANTISTATIC PROTECTION	All metal parts DC-grounded (Connector shows a DC-short)
MECHANICAL	
TEMP. RANGE	-30°C → +70°C
CONNECTOR	N-female
WIND SURFACE	Approx. 0.02 m ²
WIND LOAD	Approx. 26 N @ 160 km/h
COLOUR	Green
MATERIALS	Shroud: Polyurethane coated glass fibre Mounting bracket: Seawater resistant aluminium, Black Clamps: Stainless steel
TOTAL HEIGHT	Approx. 400 mm
DIA. IN TOP END	14 mm
DIA. IN BOTTOM END	16 mm
WEIGHT	Approx. 400 g
MOUNTING	On 16 to 54 mm dia. mast tube

TYPICAL GAIN AND SWR CURVES

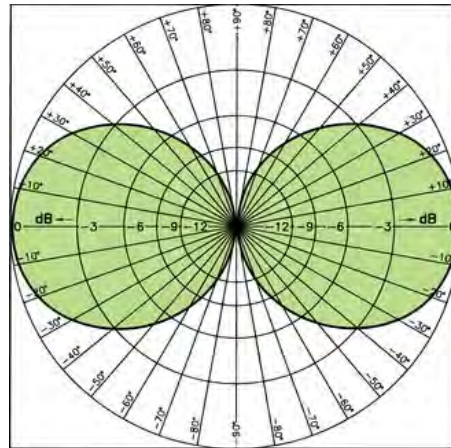


MULTI-PURPOSE MOUNTING BRACKET

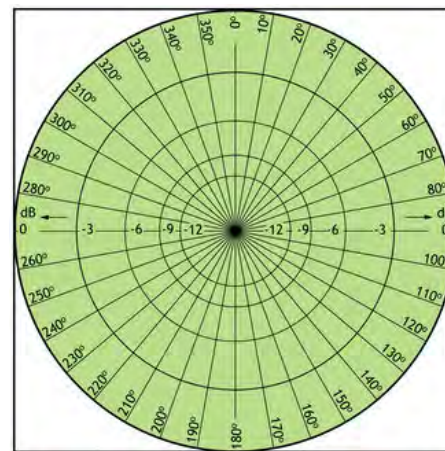


- ① Mast tube D_1 min = 30 mm
Mast tube D_0 max = 54 mm
- ② Mast tube D_0 max = 54 mm
Mast tube D_0 min = 16 mm
- ③ Mast tube D_0 max = 54 mm
Mast tube D_0 min = 16 mm

TYPICAL RADIATION PATTERN (E-PLANE)



TYPICAL RADIATION PATTERN (H-PLANE)



PLEASE NOTE

The antenna is delivered with a DC-connection between the antenna element and the mounting bracket.



PROCOM A/S reserve the right to amend specifications without prior notice.

13/05/2011