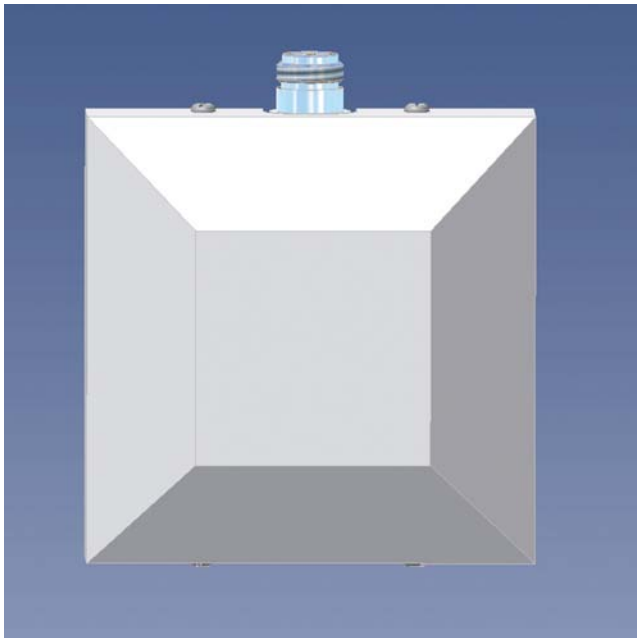


PCPI DECT

Indoor Right Hand Circular Polarised Patch Antenna for mounting on Wall or Ceiling

DESCRIPTION

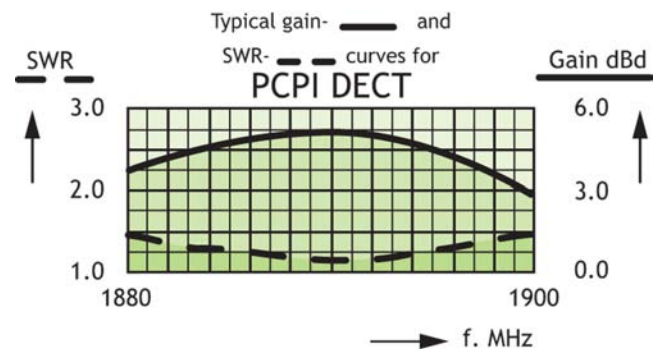
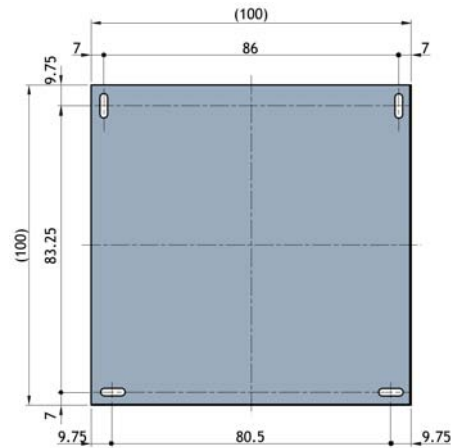
- Low profile antenna for the 1880 - 1900 MHz band.
- PCPI DECT is a Right Hand Circular Polarised patch antenna for indoor use.
- Circular polarisation is chosen to avoid out-of-phase signals.
- Specially designed for closed rooms.
- Covers the Dect frequency range 1880 - 1900 MHz with a radiation of approx. 5 dBic 3 dBd.
- Full size 2λ circular patch antenna.
- The antenna is carefully sealed with a discreet white cover.
- The connector is placed at one side to enable mounting close to a wall or a ceiling.

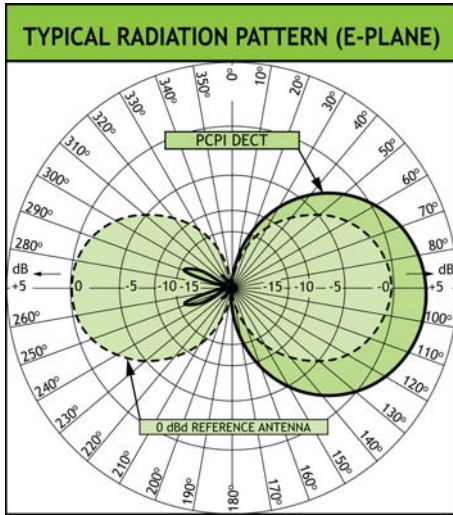


SPECIFICATIONS

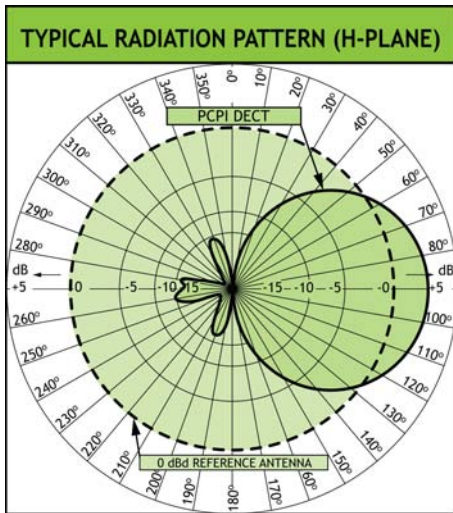
ELECTRICAL	
MODEL	PCPI DECT
ANTENNA TYPE	Right Hand Circular Polarised patch antenna
FREQUENCY	1880 - 1900 MHz
IMPEDANCE	Nom. 50 Ω
POLARISATION	Circular
GAIN	Approx. 5 dBic 3 dBd ± 2 dB
HALF-POWER BEAMWIDTH	Approx. 70° (H- and E-plane)
SWR	≤ 1.5 f.res.
MAX. POWER	50 W
MECHANICAL	
CONNECTOR	N-female
COLOUR	Marine white
MATERIALS	Cover: PS Chassis: Aluminium
SIZE (L x W)	Approx. 104 x 104 mm
HEIGHT	Approx. 40 mm
WEIGHT	Approx. 0.2 kg
MOUNTING	For mounting on wall or ceiling $\varnothing 4.5 \times 10$ mm (4 holes)

MOUNTING DETAILS





This curve shows the radiation patterns in the vertical plane.



This curve shows the radiation patterns in the horizontal plane (horizontal coverage).



PROCOM A/S reserve the right to amend specifications without prior notice.

19/11/2008