

CXL 23-7C/...

7 dBd Omnidirectional Base Station Antenna for the 23 cm Amateur Band

DESCRIPTION

- The CXL 23-7C/... is a 7 dBd, vertically polarised, omnidirectional base station antenna, which covers 1240 – 1340 MHz in three models.
- The antenna is provided with the heavy-duty type "C" universal fixing bracket. The epoxy coated cast aluminium bracket and accompanying stainless steel "U" bolts are suitable for the most severe marine environment.
- The CXL 23-7C/... is suitable for 27 – 65 mm dia. mast tubes. The coaxial feeder cable can be routed either internally or externally to the support tube.
- The antenna has excellent VSWR and gain characteristics and is highly suitable for repeater operation.
- The radiating element of the antenna is housed in a sealed high quality tapered glass fibre tube providing low wind loading and excellent all weather performance.
- The antenna is DC grounded for static discharge protection.
- The CXL 23-7C/... is a vibration-proof, slim-line, corrosion resistant, modern style base station antenna.



ORDERING DESIGNATIONS

TYPE	FREQUENCY	PRODUCT NO.
CXL 23-7C/l	1240 – 1270 MHz	100000173
CXL 23-7C/h	1260 – 1300 MHz	100000174
CXL 23-7C/hh	1300 - 1340 MHz	100000282

SPECIFICATIONS

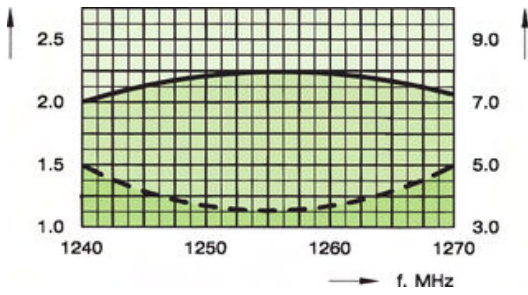
ELECTRICAL	
MODEL	CXL 23-7C/...
ANTENNA TYPE	Colinear, broad-banded
FREQUENCY	Covering: 1240 – 1340 MHz
IMPEDANCE	Nom. 50 Ω
RADIATION	Omnidirectional
POLARISATION	Vertical
GAIN	9 dBi 7 dBd
HALF POWER BEAMWIDTH	11°
BAND WIDTH	30 MHz for CXL 23-7C/l 40 MHz for CXL 23-7C/h 40 MHz for CXL 23-7C/hh
SWR	≤ 1.5 for CXL 23-7C/l ≤ 1.75 for CXL 23-7C/h ≤ 1.75 for CXL 23-7C/hh
MAX. POWER	100 W
ANTISTATIC PROTECTION	All metal parts DC-grounded (Connector shows a DC-short)
MECHANICAL	
CONNECTOR	N-female
WIND SURFACE	0.03 m ²
WIND LOAD	38 N @ 160 km/h
COLOUR	Marine white
MATERIALS	Radome: Polyurethane coated glass fibre Mounting bracket: Seawater resistant aluminium, epoxy-coated
TOTAL HEIGHT	Approx. 1.5 m
WEIGHT	Approx. 1.0 kg
MOUNTING	On 27–65 mm dia. mast tube

TYPICAL GAIN- AND SWR-CURVES FOR:

CXL 23-7C/I

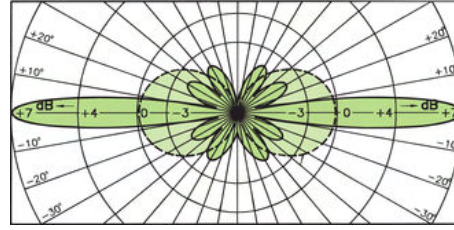
SWR

Gain



TYPICAL RADIATION PATTERN (E-PLANE)

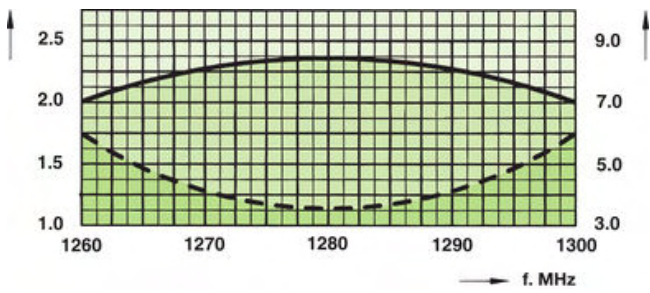
----- = 0 dBd REFERENCE ANTENNA



CXL 23-7C/h

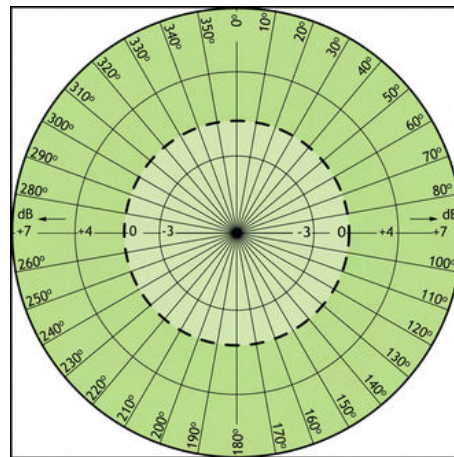
SWR

Gain



TYPICAL RADIATION PATTERN (H-PLANE)

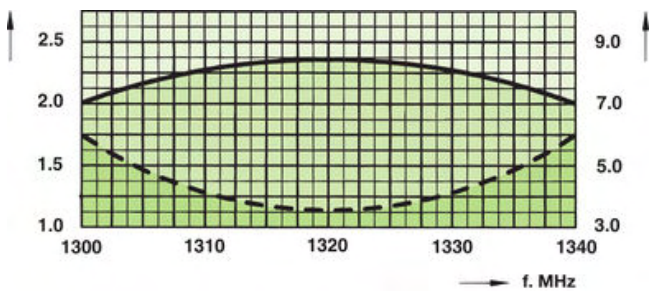
----- = 0 dBd REFERENCE ANTENNA



CXL 23-7C/hh

SWR

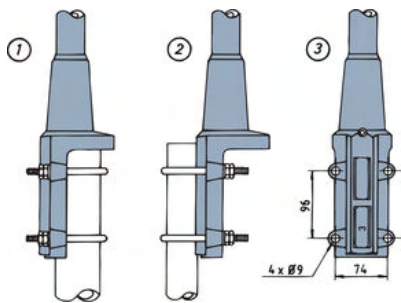
Gain



PROCOM A/S reserve the right to amend specifications without prior notice.

10/09/2009

MULTI-PURPOSE MOUNTING BRACKET



- 1 Mast tube D_I , min. = 32 mm
Mast tube D_O , max. = 65 mm
- 2 Mast tube D_O , max. = 42 mm
Mast tube D_O , min. = 27 mm