

# G-CXL 225-450C

Unity Gain, Broad-Banded Base Station Antenna for 225–450 MHz. Designed for defense units.

## DESCRIPTION

- G-CXL 225-450C is a 0 dBd gain, omnidirectional base station antenna.
- The antenna is extremely broad-banded and covers the complete band: 225 – 450 MHz.
- G-CXL 225-450C is designed for fixation on supporting tubes with outer diameter between 27 mm and 65 mm.
- The construction of the mount makes it possible to lead the cable either inside or along the outside of the mast tube.
- A glass fibre tube completely encloses the carefully designed radiating element to ensure long dependable service in all climates.
- Atmospheric discharges are immediately led to ground as all metal parts are DC-grounded (consequently, the antenna shows a DC-short across the coaxial cable).
- This antenna is used where reliability is of utmost importance. A long lifetime has been taken into consideration when designing this antenna – it is sturdy and strong.



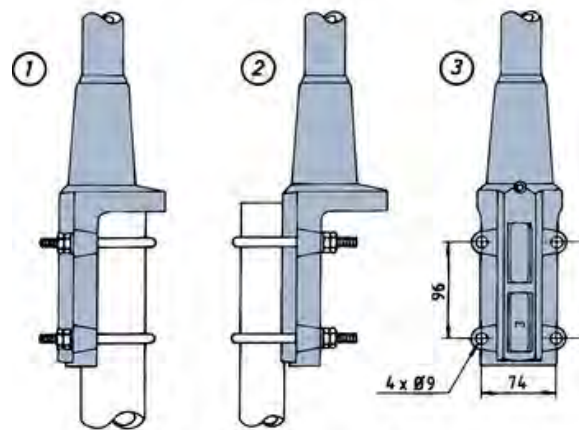
## ORDERING DESIGNATIONS

TYPE NO.	PRODUCT NO.
G-CXL 225-450C	100000268

## SPECIFICATIONS

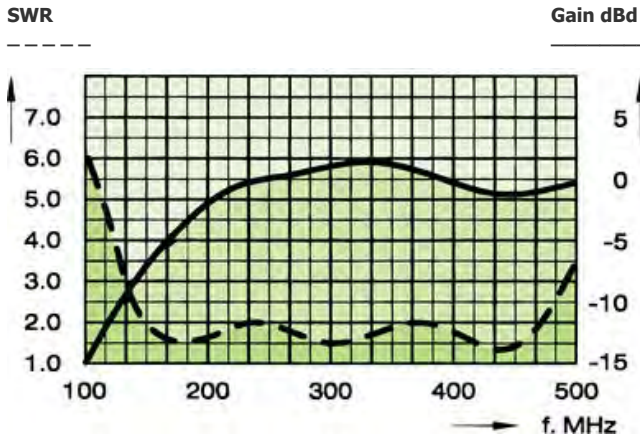
ELECTRICAL	
MODEL	G-CXL 225-450C
ANTENNA TYPE	Coaxial, broad-band dipole
FREQUENCY	Covering: 225 – 450 MHz
IMPEDANCE	Nom. 50 Ω
RADIATION	Omnidirectional
POLARIZATION	Vertical
GAIN	2 dBi 0 dBd ± 3 dB
BANDWIDTH	225 MHz
SWR	≤ 2.5, typ. ≤ 2.0
MAX. POWER	200 W
ANTISTATIC PROTECTION	All metal parts DC-grounded (Connector shows a DC-short)
MECHANICAL	
CONNECTOR	N-female
WIND SURFACE	0.056 m <sup>2</sup>
WIND LOAD	71 N @ 160 km/h
COLOUR	Green
MATERIALS	Radome : Polyurethane coated glass fibre Mounting bracket: Seawater resistant aluminium, black
TOTAL HEIGHT	Approx. 1.20 m
WEIGHT	Approx. 3.0 kg
MOUNTING	On 27 - 65 mm dia. mast tube

## MULTI-PURPOSE MOUNTING BRACKET

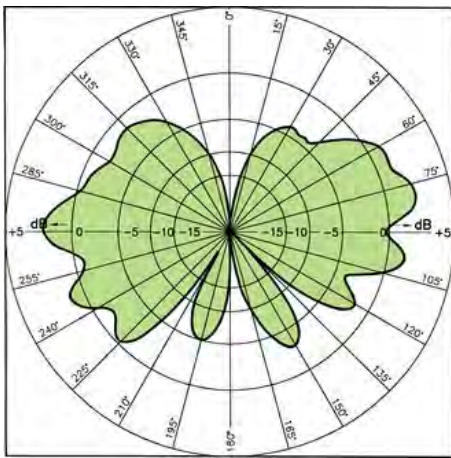


- ① Mast tube  $D_1$ , min. = 32 mm  
Mast tube  $D_0$ , max. = 65 mm
- ② Mast tube  $D_0$ , max. = 42 mm  
Mast tube  $D_0$ , min. = 27 mm

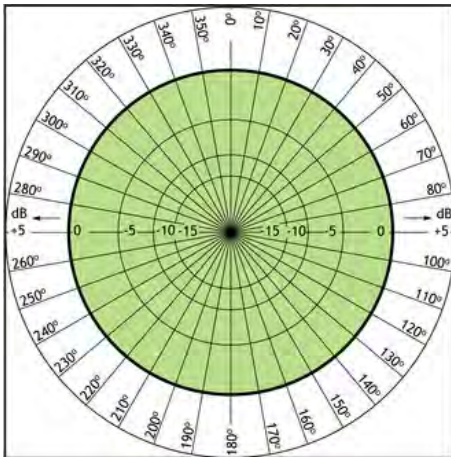
TYPICAL GAIN AND SWR CURVES



TYPICAL RADIATION PATTERN (E-PLANE)



TYPICAL RADIATION PATTERN (H-PLANE)



PROCOM A/S reserve the right to amend specifications without prior notice.

13/05/2011