

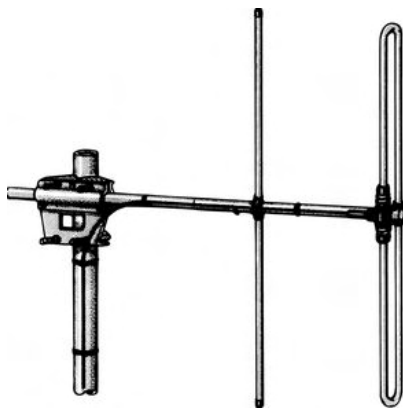
## R 2-3/..., R 2-6/...

Directional Antennas with 3 and 6 dBd Gain for the 160 MHz Band

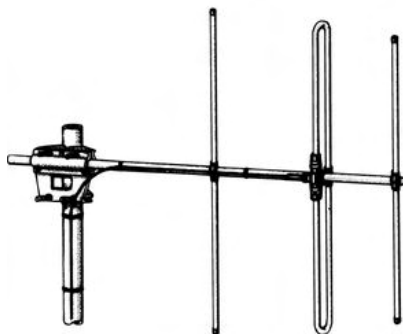
### DESCRIPTION

- These antennas are 2- and 3-element Yagi antennas with 3 and 6 dBd gain, respectively.
- When mounted for vertical polarisation the horizontal coverage is R 2-3: 100° and R 2-6: 80°.
- R 2-3/... and R 2-6/... cover the 160 MHz band in two models.
- These Yagis incorporate baluns optimized for wide bandwidth and accurate matching.
- The entire balun unit and feeder cable inlet are completely sealed in a polythene moulding ensuring permanent waterproof connections. The antennas are supplied with a 3m "tail" of RG 213 terminated with an N-female connector.
- Radiating elements, supporting booms and adjoining metal castings have been constructed in high quality aluminium alloys to prevent corrosion. All metal parts are DC-grounded.
- The antennas are designed for back mounting and are provided with rear extended booms.
- These antennas can be stacked and fed in phase with a matching harness for increased gain.
- A mast clamp for fixation on 30-58 mm diameter mast tube is enclosed.

#### R 2-3/...



#### R 2-6/...

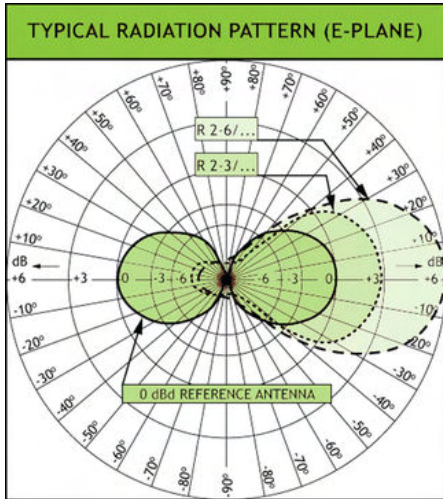


### ORDERING DESIGNATIONS

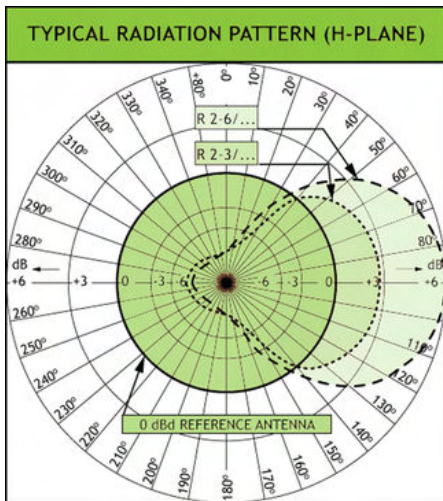
| FREQUENCY     | TYPE    | PRODUCT NO.          | TYPE                 | PRODUCT NO. |
|---------------|---------|----------------------|----------------------|-------------|
|               |         | 2-element Yagi 3 dBd | 3-element Yagi 6 dBd |             |
| 144 - 162 MHz | R 2-3/l | 120000028            | R 2-6/l              | 120000031   |
| 156 - 175 MHz | R 2-3/h | 120000027            | R 2-6/h              | 120000030   |

### SPECIFICATIONS

| ELECTRICAL            |   |  |
|-----------------------|---|--|
| MODEL                 | R 2-3/...   | R 2-6/...                                |
| ANTENNA TYPE          | 2-element Yagi  | 3-element Yagi                           |
| FREQUENCY             | "l": 144 - 162 MHz<br>"h": 156 - 175 MHz                                    | "l": 144 - 162 MHz<br>"h": 156 - 175 MHz |
| IMPEDANCE             | Nom. 50 Ω   |  |
| POLARISATION          | Vertical or horizontal  |  |
| GAIN                  | 5 dBi 3 dBd   | 8 dBi 6 dBd                              |
| FRONT TO BACK RATIO   | 12 dBd  | 16 dBd                                   |
| HALF-POWER BEAMWIDTH  | E-plane: 72°<br>H-plane: 100°   | E-plane: 60°<br>H-plane: 80°             |
| BAND WIDTH            | 19 MHz  |  |
| SWR                   | ≤ 1.5   |  |
| MAX. POWER            | 150 W   |  |
| ANTISTATIC PROTECTION | All metal parts DC-grounded<br>(Connector shows a DC-short)                 |  |
| MECHANICAL            |   |  |
| TEMP. RANGE           | -25°C → +60°C   |  |
| CONNECTION            | 3 m tail of RG 213 terminated with type "N" female connector                |  |
| WIND SURFACE          | 0.828 m <sup>2</sup>  | 0.936 m <sup>2</sup>                     |
| WIND LOAD             | 105 N @ 160 km/h  | 118 N @ 160 km/h                         |
| COLOUR                | "Aluminium"   |  |
| MATERIALS             | Elements/Boom/Saddle clamps: Aluminium alloys.<br>Fittings: Stainless steel |  |
| BOOM LENGTH           | Approx. 0.93 m  | Approx. 1.2 m                            |
| BOOM DIA.             | 31.8 mm   |  |
| MAX. ELEMENT LENGTH   | Approx. 1.1 m   |  |
| DIA. OF ELEMENTS      | 19 mm   |  |
| WEIGHT                | Approx. 3.5 kg  | Approx. 4.1 kg                           |
| MOUNTING              | Supplied with mast bracket suiting 30-58 mm dia. mast tube                  |  |



If the antennas are mounted for vertical polarisation these curves show the radiation patterns in the vertical plane.



If the antennas are mounted for vertical polarisation these curves show the radiation patterns in the horizontal plane (horizontal coverage).



PROCOM A/S reserve the right to amend specifications without prior notice.  
23/06/2009