

# GP 160 B

*Broad-banded, Antistatic Ground-Plane Antenna  
for the 160 MHz Band*

PROCOM

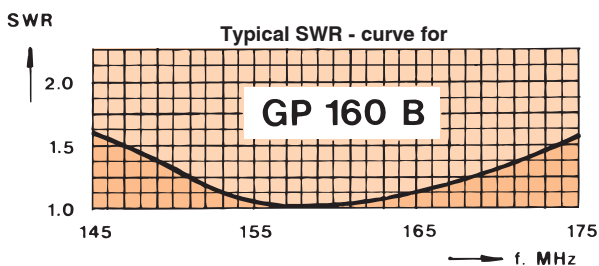
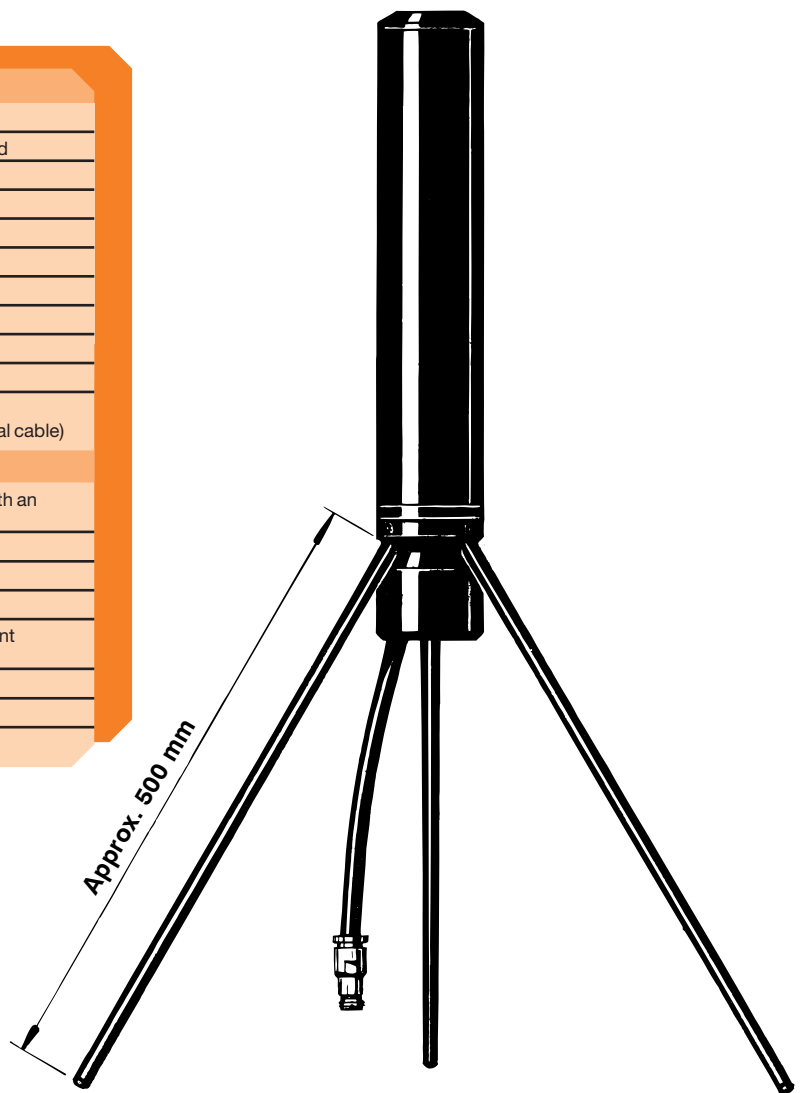


## DESCRIPTION:

- ★ GP 160 B is a broad-banded, 0 dBd, ground-plane antenna of the triple-leg type.
- ★ The antenna is fully universal as it covers the complete band: 145-175 MHz.
- ★ Atmospheric discharges are immediately led to ground, as all metal parts are DC-grounded. (Consequently, the antenna shows a DC-short across the coaxial cable).
- ★ GP 160 B is made from corrosion-resistant aluminium, which together with a special anodizing process gives this antenna a very long lifetime.

## SPECIFICATIONS:

ELECTRICAL	
MODEL	GP 160 B
ANTENNA TYPE	1/4 $\lambda$ ground-plane, broad-banded
FREQUENCY	Covering: 145-175 MHz
IMPEDANCE	Nom. 50 $\Omega$
RADIATION	Omnidirectional
POLARISATION	Vertical
GAIN	2 dBi 0 dBd
BAND WIDTH	30 MHz
SWR	$\leq 1.6$
MAX. POWER	1 kW
ANTISTATIC PROTECTION	All metal parts DC-grounded (Shows a DC-short over the coaxial cable)
MECHANICAL	
CONNECTION	0.5 m tail of RG 213 terminated with an N-female connector
WIND SURFACE	0.046 m <sup>2</sup>
WIND LOAD	58 N @ 160 km/h
COLOUR	Black
MATERIALS	Black anodized, corrosion-resistant aluminium
TOTAL HEIGHT	Approx. 0.72 m
WEIGHT	Approx. 1.5 kg
MOUNTING	On 38 mm dia. mast tube



PROCOM A/S reserve the right to amend specifications without prior notice.