

GP 80 B/...

Broad-Banded, Antistatic Ground-Plane Antenna for the 80 MHz Band

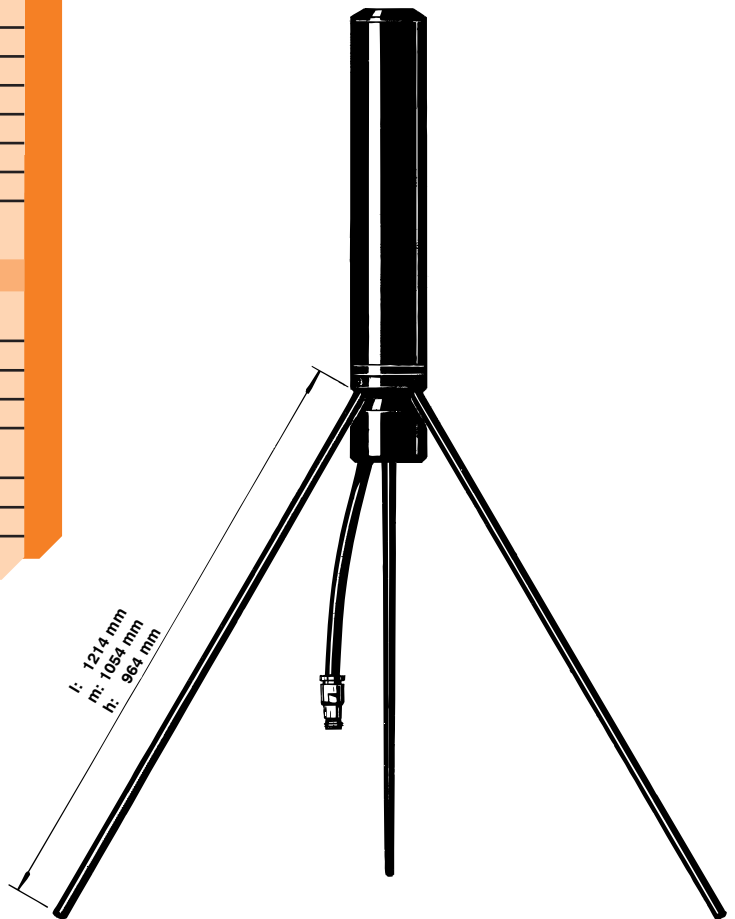


DESCRIPTION:

- ★ GP 80 B/... is a broad-banded ground-plane antenna of the triple-leg type.
- ★ The 80 MHz-band is covered by 3 models covering the following frequency segments: 66-78 MHz, 71-83 MHz and 76-88 MHz.
- ★ Atmospheric discharges are immediately led to ground, as all metal parts are DC-connected. Consequently, the antenna shows a DC-short across the coaxial cable.
- ★ GP 80 B/... is made from corrosion-resistant aluminium, which together with a special anodizing process gives this antenna a very long lifetime.

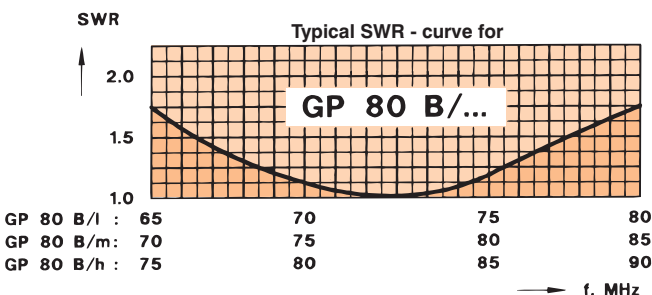
SPECIFICATIONS:

ELECTRICAL	
MODEL	GP 80 B/...
ANTENNA TYPE	1/4 λ ground-plane, broad-banded
FREQUENCY	Models within 66-88 MHz (see model survey)
IMPEDANCE	Nom. 50 Ω
RADIATION	Omnidirectional
POLARISATION	Vertical
GAIN	2 dBi 0 dBd
BAND WIDTH	12 MHz
SWR	≤ 1.6
MAX. POWER	600 watts
ANTISTATIC PROTECTION	All metal parts DC-grounded (Connector shows a DC-short)
MECHANICAL	
CONNECTOR	0.5 m tail of RG 213 terminated with an N-female connector
WIND SURFACE	0.101 m ²
WIND LOAD	128 N @ 160 km/h
COLOUR	Black
MATERIALS	Black anodized, corrosion-resistant aluminium
TOTAL HEIGHT	Approx. 1.6 m
WEIGHT	Approx. 2.4 kg
MOUNTING	38 mm dia. mast tube



ORDERING DESIGNATIONS

TYPE NO.	FREQUENCY
GP 80 B/l	66-78 MHz
GP 80 B/m	71-83 MHz
GP 80 B/h	76-88 MHz



PROCOM A/S reserve the right to amend specifications without prior notice.