

GP 80

1/4 λ Glassfiber Ground-Plane Antenna for the 80 MHz Band



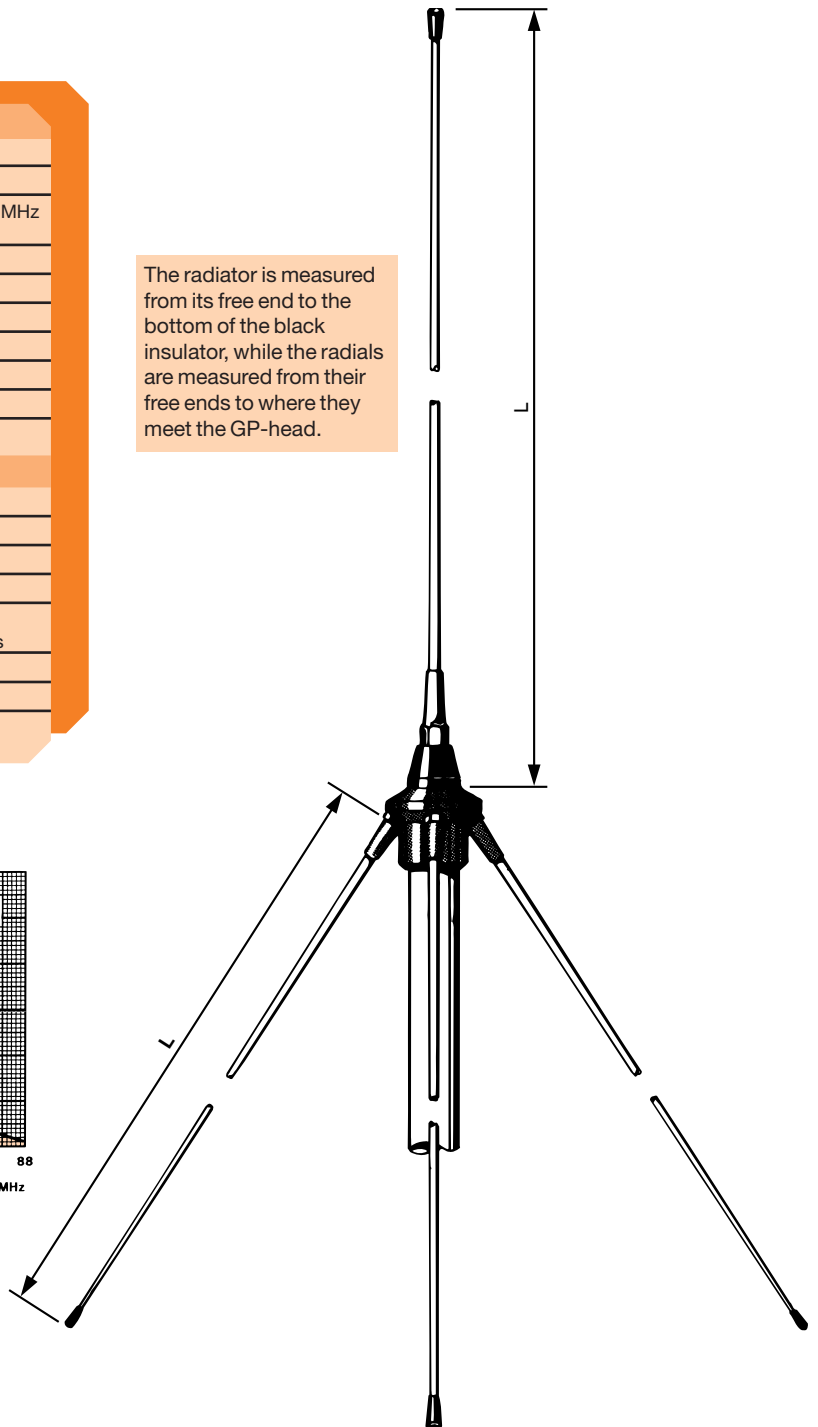
DESCRIPTION:

- ★ GP 80 is a glassfiber ground-plane antenna of the triple-leg type.
- ★ The antenna is tunable (by cutting) within its main frequency band: 66...88 MHz but is further applicable up to 150 MHz.
- ★ The cutting diagrams below indicate the length of the radiator and the radials corresponding to a specific frequency. It is recommended to use the curves as a guide and fine-tune using an SWR-meter.
- ★ The antenna comprises a brass GP-head, one glassfiber radiator and three glassfiber radials.
- ★ GP 80 is made of first-class materials and will endure "wear and tear" for years – no maintenance required.

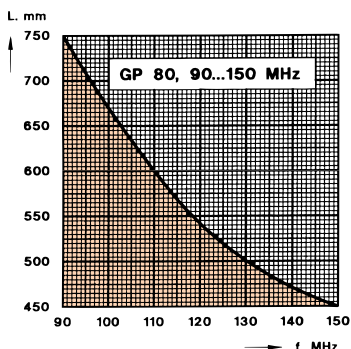
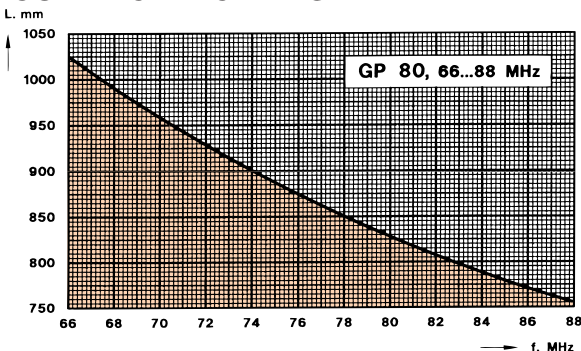
SPECIFICATIONS:

| ELECTRICAL | |
|--------------|---|
| MODEL | GP 80 |
| ANTENNA TYPE | 1/4 λ triple-leg ground-plane |
| FREQUENCY | Tunable by cutting within: 66...88 MHz (Also applicable: 88...150 MHz) |
| IMPEDANCE | Nom. 50 Ω |
| RADIATION | Omnidirectional |
| POLARISATION | Vertical |
| GAIN | 2 dBi 0 dBd |
| BAND WIDTH | 8 MHz (SWR \leq 2.0) |
| SWR | \leq 1.2 @ f. res. |
| MAX. POWER | 1 kW |
| MECHANICAL | |
| CONNECTOR | UHF-female (PL-259) |
| WIND SURFACE | 0.043 m ² |
| WIND LOAD | 54 N @ 160 km/h |
| COLOUR | White/bright chrome |
| MATERIALS | Elements: Glassfiber Metal parts: Bright chromed brass |
| TOTAL HEIGHT | Approx. 1.3 m |
| WEIGHT | Approx. 1.3 kg |
| MOUNTING | 38 mm dia. mast tube (42 mm dia. as option, see note) |

The radiator is measured from its free end to the bottom of the black insulator, while the radials are measured from their free ends to where they meet the GP-head.



CUTTING DIAGRAMS:



PLEASE NOTE:

The GP 80 can be delivered with a GP-head for mounting on 42 mm dia. mast tube (standard is 38 mm) when ordering as option **GP 80/42 mm**.

PROCOM A/S reserve the right to amend specifications without prior notice.