

# GP 40

1/4  $\lambda$  Glassfiber Ground-Plane Antenna  
for the 40-70 MHz Range

PROCOM

## DESCRIPTION:

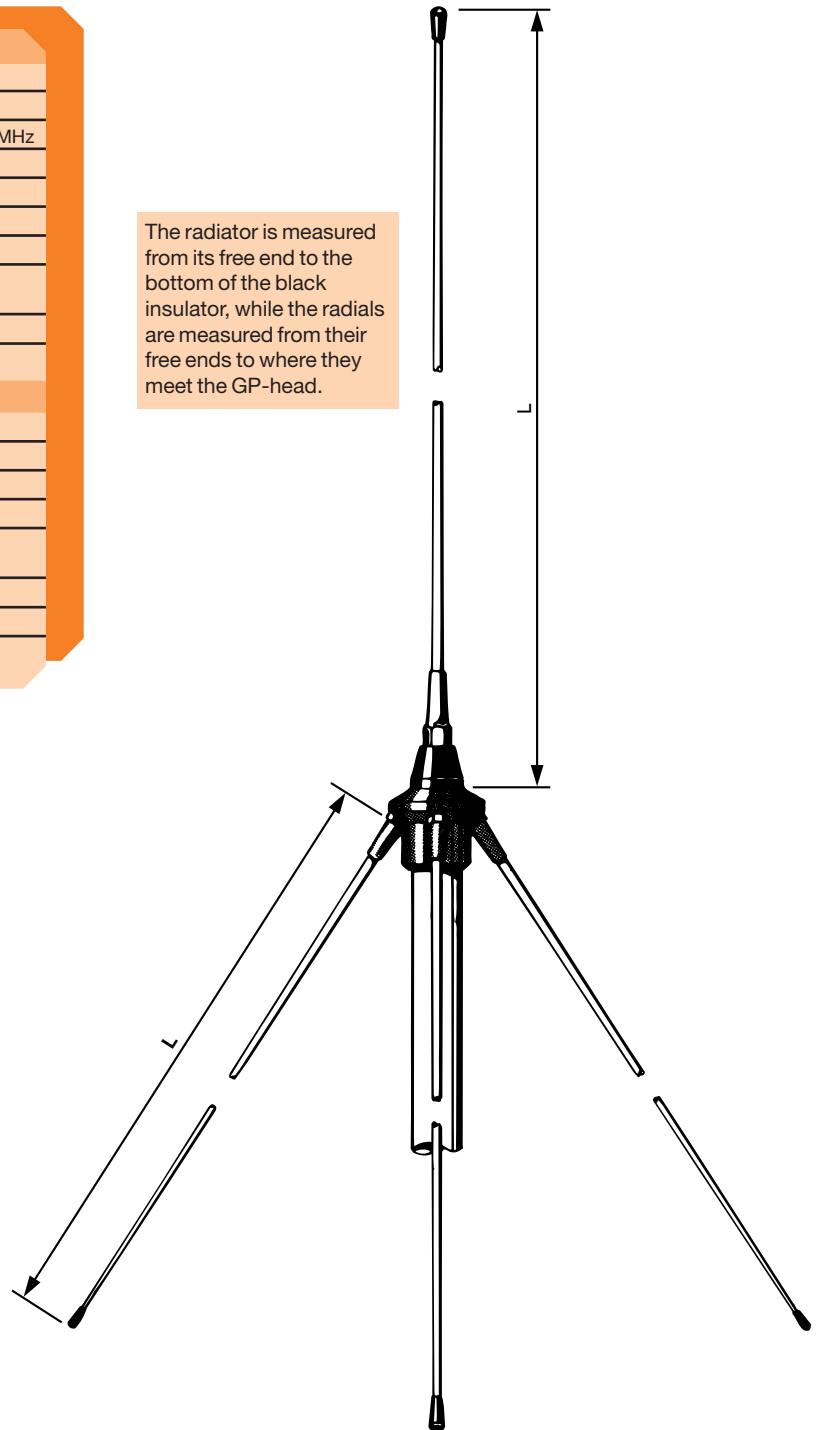
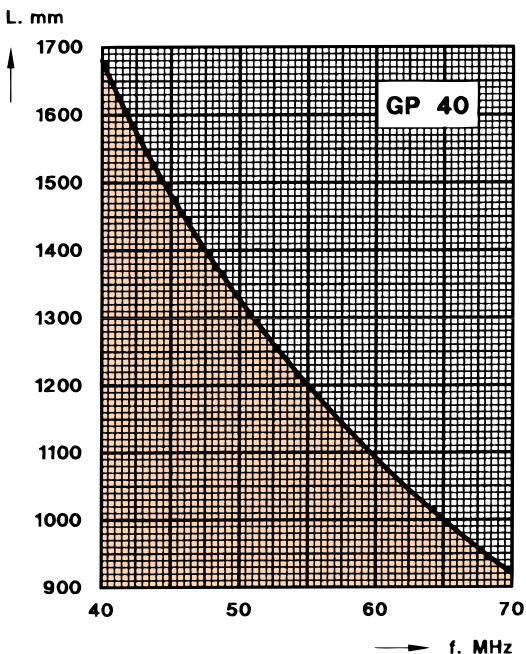
- ★ GP 40 is a glassfiber ground-plane antenna of the triple-leg type.
- ★ The antenna is tunable (by cutting) within: 40...70 MHz.
- ★ The cutting diagrams below indicate the length of the radiator and the radials corresponding to a specific frequency. It is recommended to use the curves as a guide and fine-tune using an SWR-meter.
- ★ The antenna comprises a brass GP-head, one glassfiber radiator and three glassfiber radials.
- ★ GP 40 is made of first-class materials and will endure "wear and tear" for years – no maintenance required.

## SPECIFICATIONS:

ELECTRICAL	
MODEL	GP 40
ANTENNA TYPE	1/4 $\lambda$ triple-leg ground-plane
FREQUENCY	Tunable by cutting within: 40...70 MHz
IMPEDANCE	Nom. 50 $\Omega$
RADIATION	Omnidirectional
POLARISATION	Vertical
GAIN	2 dBi 0 dBd
BAND WIDTH	1.5 MHz @ 40 MHz (SWR $\leq$ 1.5) 3 MHz @ 70 MHz (SWR $\leq$ 1.5)
SWR	< 1.2 @ f. res.
MAX. POWER	1 kW
MECHANICAL	
CONNECTOR	UHF-female (fitting PL-259)
WIND SURFACE	0.075 m <sup>2</sup>
WIND LOAD	95 N @ 160 km/h
COLOUR	White/bright chrome
MATERIALS	Elements: Glassfiber Metal parts: Bright chromed brass
TOTAL HEIGHT	Approx. 3.2 m
WEIGHT	Approx. 1.5 kg
MOUNTING	38 mm dia. mast tube (42 mm dia. as option, see note)

The radiator is measured from its free end to the bottom of the black insulator, while the radials are measured from their free ends to where they meet the GP-head.

## CUTTING DIAGRAM:



## PLEASE NOTE:

The GP 40 can be delivered with a GP-head for mounting on 42 mm dia. mast tube (standard is 38 mm) when ordering as option **GP 40/42 mm**.

PROCOM A/S reserve the right to amend specifications without prior notice.